



**DELUXE GOURMET DROP-IN (3C SERIES)
INSULATING LINER
MODEL #3220-50**

The insulating liner kit comes fully assembled with two hanging brackets, ready for installation. The cabinet opening dimensions for this unit must be a minimum of 19 5/8" deep x 31 3/8" wide x 19" high. Countertop material may be placed up to the insulating liner. DO NOT cover the liner.

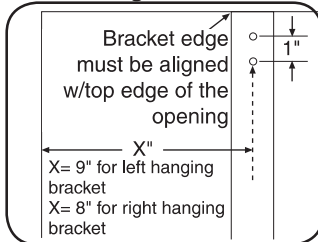
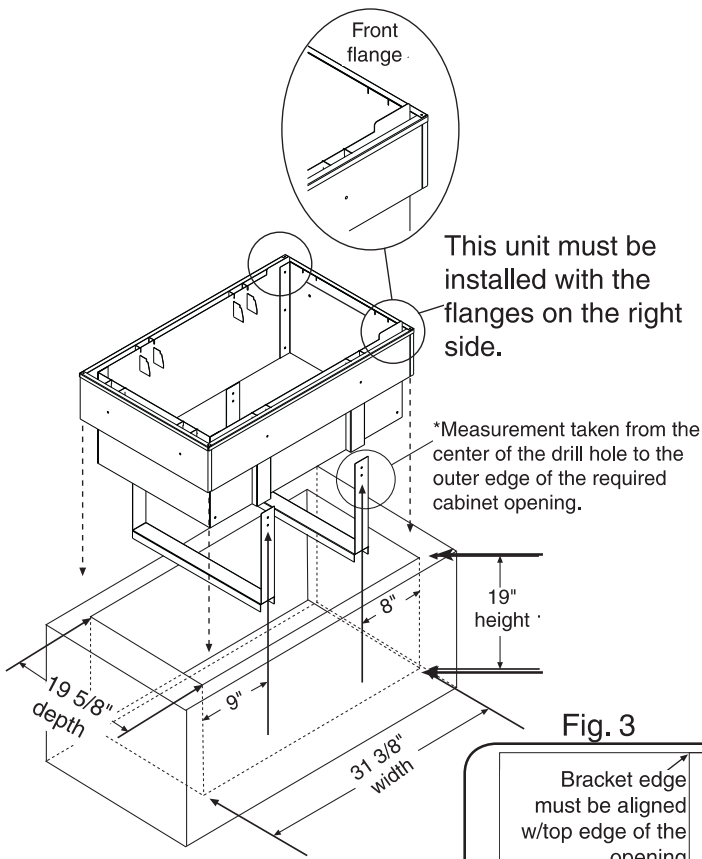
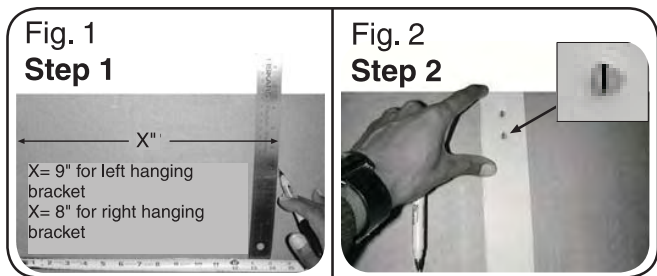
INSTALLATION OF YOUR FIRE MAGIC GRILL INSULATING LINER

To install the insulating liner ensure the brick opening is sized correctly, then follow the three simple steps below:

STEP 1: On the front and back inside walls of the opening, pencil in four vertical lines "X" from the outer edge of the opening (see Fig. 1 and 3).

STEP 2: Now align the top of the hanging brackets with the surface edge of the opening, while lining your holes up with your penciled line (see Fig. 2 and 3), insert screws (not provided), and tighten.

STEP 3: Then slide the fully assembled insulating liner down into place. Make sure the raised flanges are on the right side (the control side) of the opening. You are now ready to drop-in your grill.



Refer to your grill installation instructions for special propane gas venting requirements.

INSTALLATION OF YOUR FIRE MAGIC GRILL

To install and operate your Fire Magic grill, please refer to the installation and operating instructions and safety precautions enclosed with your unit.

Replacement parts may be obtained from your nearest Fire Magic Dealer. For assistance in locating a dealer, you may contact the factory at the address listed below.