

# FIREMAGIC & AOG PROPANE TANK HOLDER

(For post grills only)

**Models: #5110-32 (Firemagic)  
#TH-PP (AOG)**

**INSTALLER:** Leave these instructions with consumer.  
**CONSUMER:** Retain for future reference.



To install your propane tank holder, follow the steps below:

## REMOVE EXISTING PLATE

1. Remove the plate found on the rear of the post by unfastening the 4 screws using a Phillips screwdriver. Retain the screws for later reinstallation.
2. Remove the flex connector from the plate (if previously installed through the plate).

## GRILLS WITH A POWER SUPPLY (if applicable)

1. Remove the power cord and plastic bushing from the plate (if previously installed through plate).

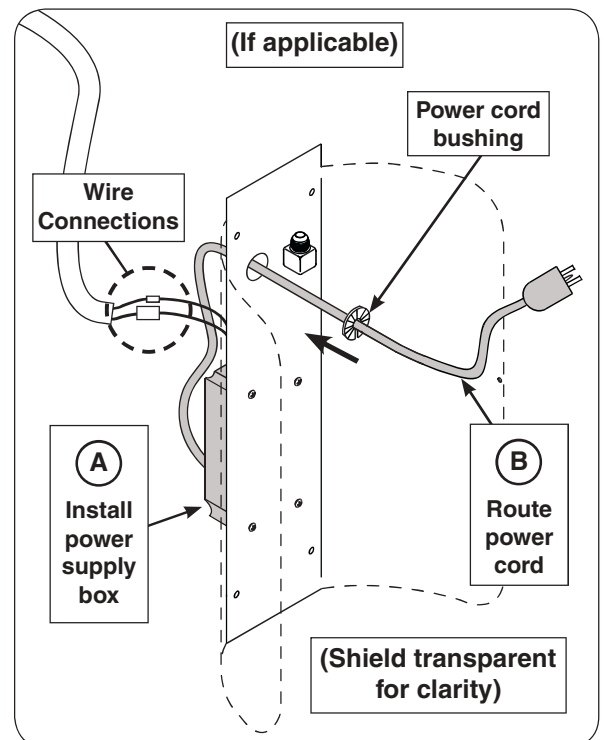
**Note:** The plastic bushing will be located inside of the post (attached to the tension rod with a tie) if not previously installed through the plate.

2. Remove the power supply box from the existing plate by unfastening the 4 screws using a Phillips screwdriver. Retain the screws for later reinstallation.

**Note:** Disconnect the power supply wires from the wire harness if needed.

3. Install the power supply box to the tank shield plate using the existing screws from the previous plate (see Fig. 1-1, A).
4. Remove the knock-out disc at the top left of the access plate with a large flathead screwdriver. (Insert the screwdriver into the notch provided in the center of the knock-out.)
5. Feed the power cord through the newly created hole.
6. Install the power cord bushing onto the power cord. Slide the bushing up against the access plate knock-out hole and snap into place. See Fig. 1-1.

Continued on next page



**Fig. 1-1** Install power supply and route power cord

## INSTALL TANK SHIELD

1. Remove protective coating off of the tank holder. **DO NOT** use a sharp object to remove coating.
2. Connect the flex connector (coming out of the post) to the adapter found on the rear of the tank shield. Be sure to tighten completely and not to kink the flex connector (Fig. 2-1).
3. **If applicable**, orient the tank shield plate near the post and re-connect the power supply wires to the wire harness. See Fig. 1-1 on the previous page.
4. Locate and align the tank shield plate to the top 2 holes on the rear of the post, and tighten the top using two screws (see Fig. 2-2, A). Then place the tank support at the bottom of the post, with its screw holes lining up over the screw holes found on the bottom of the tank shield. Tighten using the final two screws. (See Fig. 2-2, B.)
5. Connect the propane hose w/ regulator (**not supplied**) to the exposed adapter on the tank shield. Be sure to tighten completely (Fig. 2-3).
6. Complete installation by placing a propane tank (**not supplied**) into the holder assembly, and screwing the hose regulator onto the tank. Secure the tank in place by draping the chain across the tank, and hooking the chain into the hole on the opposite side.

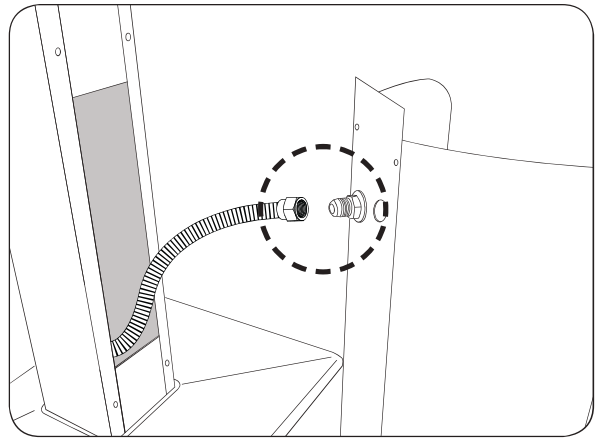


Fig. 2-1 Connect flex connector

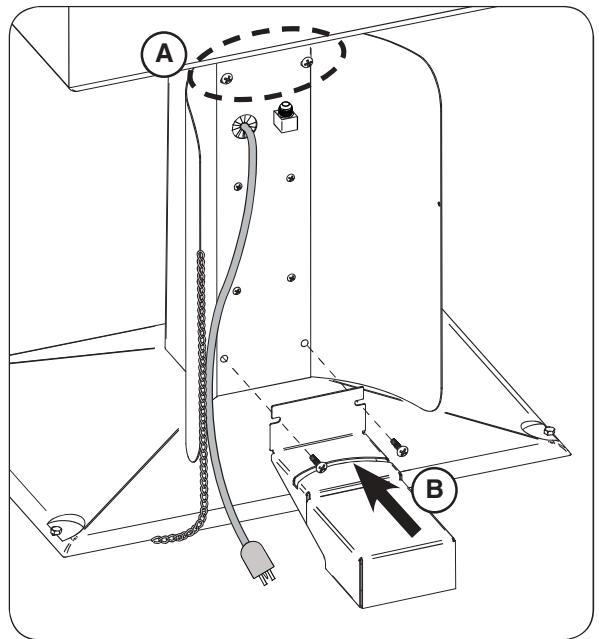


Fig. 2-2 Secure tank shield and tank support

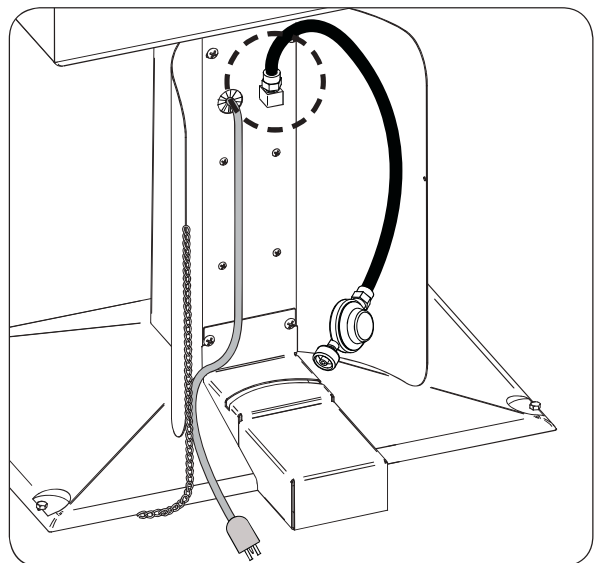


Fig. 2-3 Connect hose (not supplied)