



## POST OUTDOOR GAS GRILLS

"T" SERIES 24" (IN-GROUND & PATIO MOUNT)

### INSTALLATION AND OWNER'S MANUAL

**INSTALLER:** Leave these instructions with consumer.  
**CONSUMER:** Retain for future reference.



Patio Mount  
model shown

**IMPORTANT:** READ THESE INSTRUCTIONS CAREFULLY BEFORE STARTING INSTALLATION OR USE.

## WARNINGS AND SAFETY CODES

### ONLY TO BE USED OUTDOORS

**CODE AND SUPPLY REQUIREMENTS:** Installation must conform with local codes or, in the absence of local codes, with either the *National Fuel Gas Code*, ANSI 2223.1/NFPA 54, or the *Natural Gas and Propane Installation Code*, CSA B149.1, or the *Propane Storage and Handling Code*, CSA B149.2, as applicable.

The outdoor cooking gas appliance and its individual shut-off valve must be disconnected from the gas supply piping system during any pressure testing of that system at test pressures in excess of 1/2 psi (3.5 kPa).

The outdoor cooking gas appliance must be isolated from the gas supply piping system by closing its individual manual shut-off valve during any pressure testing of the gas supply piping system at test pressures equal to or less than 1/2 psi (3.5 kPa).

**This appliance is designed as an attended appliance. DO NOT leave this appliance burning when unattended.**

If an external electrical source is utilized, the outdoor cooking gas appliance, when installed, must be electrically grounded in accordance with local codes or, in the absence of local codes, with the *National Electrical Code*, ANSI/NFPA 70, or the *Canadian Electrical Code*, Part I, CSA C22.1. Keep any electrical supply cord and the fuel supply hose away from any heated surfaces.



Certified to: ANSI Z21.58  
CSA 1.6

### **⚠ DANGER:**

#### **IF YOU SMELL GAS:**

- Shut off gas to the appliance.
- Extinguish any open flame.
- Open lid.
- If odour continues, keep away from the appliance and **immediately** call your gas supplier or the fire department.

### **⚠ WARNING:**

- Do not store or use gasoline or other flammable liquids or vapours in the vicinity of this or any other appliance.
- An LP cylinder not connected for use shall not be stored in the vicinity of this or any other appliance.

### **⚠ WARNING:**

Improper installation, adjustment, alteration, service, or maintenance can cause injury or property damage. For proper installation, refer to the installation instructions. For assistance or additional information, consult a qualified professional service technician, service agency, or the gas supplier.

**Proper operation of your grill requires prompt and periodic maintenance. See the SERVICING AND CLEANING section for details.**

Cooking Grid U.S. Patent Nos.  
D857,453 D862,984



## BÂTI DE PATIO DE BARBECUE DE POTEAU

Série 24 "T" (INSTALLATION AU SOL ET PATIO)

### INSTALLATION ET LE MANUEL DU PROPRIÉTAIRE

**INSTALLATEUR:** laissez ces instructions au consommateur.  
**CONSOMMATEUR:** À conserver pour référence future.



Support de terrasse modèle présenté

**IMPORTANT:** LIRE ATTENTIVEMENT CES INSTRUCTIONS AVANT DE COMMENCER L'INSTALLATION OU L'UTILISATION.

## AVERTISSEMENTS ET CODES DE SÉCURITÉ

**À UTILISER UNIQUEMENT À L'EXTÉRIEUR**  
**EXIGENCES EN MATIÈRE DE CODE ET D'APPROVISIONNEMENT:** L'installation doit être conforme aux codes locaux ou, en l'absence de codes locaux, soit au *National Fuel Gas Code*, ANSI 2223.1/ NFPA 54, soit au *Natural Gas and Propane Installation Code*, CSA B149.1, soit au *Code de stockage et de manipulation du propane*, CSA B149.2, selon le cas.

L'appareil de cuisson au gaz extérieur et son robinet d'arrêt individuel doivent être déconnectés du système de tuyauterie d'alimentation en gaz pendant tout essai de pression de ce système à des pressions d'essai supérieures à 1/2 psi (3,5 kPa).

L'appareil de cuisson au gaz extérieur doit être isolé du système de tuyauterie d'alimentation en gaz en fermant son robinet d'arrêt manuel individuel pendant tout test de pression du système de tuyauterie d'alimentation en gaz à des pressions d'essai égales ou inférieures à 1/2 psi (3,5 kPa).

**Cet appareil est conçu comme un appareil surveillé. NE PAS laisser cet appareil brûler sans surveillance.**

Si une source électrique externe est utilisée, l'appareil à gaz de cuisson extérieur, lorsqu'il est installé, doit être mis à la terre conformément aux codes locaux ou, en l'absence de codes locaux, avec le *National Electrical Code*, ANSI/NFPA 70, ou le *Canadian Electrical Code*. Code, Partie I, CSA C22.1. Gardez tout cordon d'alimentation électrique et le tuyau d'alimentation en carburant à l'écart de toute surface chauffée.



Certifié à : **ANSI Z21.58**  
**CSA 1.6**

### **⚠ DANGER:**

#### **SI VOUS SENTEZ DU GAZ:**

- Coupez le gaz de l'appareil.
- Éteignez toute flamme nue.
- Ouvrez le couvercle.
- Si l'odeur persiste, éloignez-vous de l'appareil et appelez **immédiatement** votre fournisseur de gaz ou les pompiers.

### **⚠ ATTENTION:**

- N'entrez pas et n'utilisez pas d'essence ou d'autres liquides ou vapeurs inflammables à proximité de cet appareil ou de tout autre appareil.
- Une bouteille de GPL non connectée pour utilisation ne doit pas être stockée à proximité de cet appareil ou de tout autre appareil.

### **⚠ ATTENTION:**

Une installation, un réglage, une modification, un entretien ou une maintenance inappropriés peuvent causer des blessures ou des dommages matériels. Pour une installation correcte, reportez-vous aux instructions d'installation. Pour obtenir de l'aide ou des informations supplémentaires, consultez un technicien de service professionnel qualifié, une agence de service ou le fournisseur de gaz.

**Le bon fonctionnement de votre gril nécessite un entretien rapide et périodique. Voir la section ENTRETIEN ET NETTOYAGE pour plus de détails.**

Grille de cuisson US Numéros de brevet  
D857,453 D862,984

# TABLE OF CONTENTS

## GETTING STARTED

WARNINGS AND SAFETY CODES .....	1
AVERTISSEMENTS .....	4
INSTALLATION, OPERATION, AND SAFETY INFORMATION .....	5
GAS SAFETY INFORMATION.....	6
<i>WARNING</i> .....	6
<i>WHEN USING PROPANE GAS</i> .....	6
<i>WHEN USING NATURAL GAS</i> .....	6
<i>INSTALLATION SAFETY GUIDELINES</i> .....	6
OPERATING THE UNIT SAFELY AND CORRECTLY .....	6
SAFE USE & MAINTENANCE OF PROPANE GAS CYLINDERS .....	7
PROPANE CYLINDER HOUSING AND RESTRAINING REQUIREMENTS .....	11
<i>PROPANE CYLINDER ENCLOSURE PARAMETERS</i> .....	11
INSTALLATION REQUIREMENTS .....	13
<i>OVERHEAD CONSTRUCTION AND EXHAUST HOOD REQUIREMENTS</i> .....	13
<i>PROPANE ENCLOSURE CLEARANCES (If applicable)</i> .....	13
<i>REAR WALL CLEARANCES</i> .....	14
<i>COMBUSTION AIR AND COOLING AIRFLOW</i> .....	15
DIAGRAMMATICAL REPRESENTATIONS OF OUTDOOR AREAS .....	16
MODEL SPECIFICATIONS .....	17
<i>POST GRILL WIRING DIAGRAM</i> .....	18
AOG GRILL REPLACEMENT PARTS LIST .....	21

## INSTALLATION

CONSTRUCT PROPANE CYLINDER ENCLOSURE (IF APPLICABLE).....	23
PATIO MOUNT INSTALLATION .....	24
IN-GROUND POST INSTALLATION .....	27
COMMON INSTALLATION .....	31
<i>INSTALL VAPORIZER PANELS</i> .....	31
<i>INSTALL COOKING GRIDS</i> .....	31
<i>INSTALL DRIP TRAY</i> .....	31
OPERATION TEST.....	32
<i>INSTALL WARMING RACK</i> .....	32
<i>INSTALL RIGID SHELVES</i> .....	32

## USE, CARE, & SERVICE

IDENTIFICATION OF GRILL CONTROLS .....	33
USING THE GRILL.....	34
LIGHTING (IGNITION) INSTRUCTIONS .....	35
<i>ELECTRONIC LIGHTING</i> .....	35
<i>SETTING THE TIMER</i> .....	35
<i>MANUAL LIGHTING</i> .....	35
<i>SHUTTING OFF THE UNIT</i> .....	35
ROTISSERIE INSTRUCTIONS (IF EQUIPPED) .....	37
SERVICING AND CLEANING .....	38
<i>CLEANING YOUR GRILL</i> .....	38
<i>CONTROL PANEL REMOVAL</i> .....	40
<i>MAIN BURNER REMOVAL</i> .....	41
<i>CONVERT GAS TYPE / CHECK BURNER ORIFICES</i> .....	42
<i>AIR SHUTTER ADJUSTMENT / BURNER FLAME INSPECTION</i> .....	44
<i>VALVE "LOW" SETTING ADJUSTMENT</i> .....	45
<i>CONTROL KNOB FITMENT ADJUSTMENT</i> .....	45
NOTES PAGE .....	46
TROUBLESHOOTING.....	47
WARRANTY .....	48
<i>COMMONWEALTH OF MASSACHUSETTS REQUIREMENTS</i> .....	48

## **Avertissements généraux :**

- Cet appareil est destiné à une utilisation en extérieur uniquement. Si l'appareil est entreposé à l'intérieur, retirez les bouteilles et gardez-les à l'extérieur.
- Ne couvrez pas immédiatement l'appareil après utilisation. Laissez-le refroidir avant de le couvrir, de le déplacer ou de le ranger. Ne pas respecter cette mesure de sécurité pourrait entraîner un incendie causant des dommages matériels, des blessures ou la mort.
- Ne pas utiliser cet appareil sous une surface combustible.
- Ne pas utiliser cet appareil sous un auvent. Le non respect de cette mesure de sécurité pourrait entraîner un incendie ou des blessures.
- Distance minimale requise entre les parois latérales et arrière de l'appareil et toute construction combustible (45,7 cm à partir des parois latérales et 45,7 cm à partir de l'arrière). Veuillez consulter la section des distances de sécurité pour tous les détails.
- Un régulateur de pression de gaz doit être utilisé avec cet appareil de cuisson à gaz pour l'extérieur. Ce régulateur doit être réglé pour une pression de sortie de 5 pouces colonne d'eau pour le gaz naturel et de 10 pouces pour le propane. Veuillez consulter la liste des pièces de ce manuel du propriétaire pour vérifier si un régulateur est inclus avec votre appareil.
- **LE RÉGULATEUR DOIT ÊTRE ÉVALUÉ POUR UN MAXIMUM DE 1/2 (LIVRES PAR POUCES CARRÉS).** Veuillez consulter la liste des pièces de ce manuel du propriétaire pour vérifier si un régulateur est inclus avec votre appareil. **SI VOTRE OFFRE DE GAZ EST SUPÉRIEURE DE 1/2 (LIVRES PAR POUCES CARRÉS), UN RÉGULATEUR ADDITIONNEL DOIT ÊTRE INSTALLÉ AVANT L'UTILISATION DE L'APPAREIL. VEUILLEZ CONSULTER LA SECTION DES CONDITIONS D'ALIMENTATION EN GAZ POUR LA PRESSON APPROPRIÉE DE L'ALIMENTATION EN GAZ.**
- Ne couvrez jamais la surface entière de cuisine ou de gril de gauffreuses ou de casseroles. La surchauffe se produira et les brûleurs ne seront pas très performants quand la chaleur de combustion est emprisonnée au-dessous de la surface à cuire.
- Ne jamais pulvériser d'eau sur une unité de gaz chaude, car cela peut endommager les surfaces ou les composants.

## **Avertissements de propane :**

- Une fuite de GPL peut causer un incendie ou une explosion si enflammée entraînant des blessures corporelles graves ou la mort.
- Communiquez avec le fournisseur de GPL pour les réparations ou pour disposer de la bouteille ou du GPL non utilisé.

# INSTALLATION, OPERATION, AND SAFETY INFORMATION

1. Wear gloves and use extreme caution whenever installing and handling this product and its accessories as certain components have sharp edges that can cause personal injury.
2. The outdoor appliance and surrounding area **MUST** remain clear of flammable substances such as gasoline, yard debris, wood, etc. Maintain a minimum horizontal clearance of 18" (in all directions) from combustible materials/items.
3. Do not block the front air inlet along the bottom of the control panel. See the COMBUSTION AIR AND COOLING AIRFLOW section under INSTALLATION REQUIREMENTS for details.
4. **This unit must be installed so that the vent openings and surrounding area of the grill remain clear and free at all times. See the GAS SAFETY INFORMATION section.**
5. When using propane gas: the propane cylinder, regulator, and rubber hose must be in a location not subject to temperatures above 125° F (51° C).
6. The back burner cover (if equipped) must be removed before using the burner.
7. Before each use, ensure the flames on each burner burn evenly along the entire burner with a steady flame (mostly blue). If burner flames are not normal, check and clean the orifice and burner/venturi tubes for insects and insect nests. A clogged tube can lead to a fire beneath the unit. A proper flame pattern will ensure safe operation and optimal performance. Adjust the air shutter as needed to achieve proper flame pattern (see AIR SHUTTER ADJUSTMENT/BURNER FLAME INSPECTION section, under SERVICING AND CLEANING for details).
8. The in-line gas valve or gas cylinder valve must always be shut OFF when the unit is not in use.
9. **Adults MUST be present when this gas appliance is operating. This appliance MUST NOT be left burning when unattended.**

## WARNING

**NEVER cover slots, holes, or passages in the oven bottom or cover an entire rack with material such as aluminum foil. Doing so blocks air flow through the oven and may cause carbon monoxide poisoning.**

**Aluminum foil linings may trap heat causing a fire hazard.**

**IMPORTANT: IN THE EVENT OF A GREASE FIRE, IMMEDIATELY SHUT OFF THE MAIN GAS VALVE TO THE UNIT. KEEP THE LID OPEN AND ALLOW THE FIRE TO EXTINGUISH ITSELF. KEEP AT A SAFE DISTANCE. A THOROUGH INSPECTION BY A QUALIFIED PROFESSIONAL SERVICE TECHNICIAN SHOULD BE CONDUCTED BEFORE FUTURE USE OF YOUR UNIT. THE SERVICE TECHNICIAN WILL CHECK THE SYSTEM FOR GAS LEAKS AND WILL CHECK ALL ELECTRICAL WIRING FOR DAMAGE. ALL GAS LEAKS AND WIRING MUST BE REPAIRED PRIOR TO FUTURE USE.**

**WARNING: NEVER cover more than 75% of the cooking or grill surface with griddles, pots, or pans. Overheating will occur, and burners will not perform properly when combustion heat is trapped below the cooking surface.**

The unit serial number tag can be found affixed to the grill body behind the control panel (on an aluminum tag) and on the underside of the drip tray handle (on a thermal label). It is recommended that the drip tray first be removed and cleaned / emptied of its contents, then turned over to view.  
The unit rating label is located inside of the control panel.



## GAS SAFETY INFORMATION

**WHEN OPERATING THIS GAS APPLIANCE, ALL INSTRUCTIONS AND WARNINGS MUST BE OBSERVED. FAILURE TO DO SO MAY RESULT IN A FIRE OR EXPLOSION CAUSING PROPERTY DAMAGE, BODILY INJURY, OR DEATH.**

### WARNING

This gas appliance (and the propane cylinder enclosure if applicable) **MUST** be plumbed and vented in accordance with local building and safety codes and should be approved by local code enforcement officials. This appliance **MUST** be installed and operated according to the information below.

**FAILURE TO PROPERLY VENT THE PROPANE TANK (AND ENCLOSURE IF APPLICABLE) MAY RESULT IN A FIRE OR EXPLOSION CAUSING PROPERTY DAMAGE, BODILY INJURY, OR DEATH.**

A leaking gas connection or valve unintentionally left open will create a hazard.

### **WHEN USING PROPANE GAS**

- **Propane gas** (also known as **L.P. gas**) is heavier than air and will accumulate or pool in an inadequately vented enclosure or recessed area.
- If a pool of **propane gas** is ignited, an explosion will occur. Adequate venting at the floor level of the propane tank eliminates this danger. (For enclosures, this includes venting at the floor level, or the lowest point where gas could accumulate.)

Refer to the **PROPANE CYLINDER HOUSING AND RESTRAINING REQUIREMENTS** section (if applicable). Observe all local codes.

- DO NOT store a spare propane-gas cylinder near the unit.

### **WHEN USING NATURAL GAS**

- **Natural gas** is lighter than air and will accumulate at the top of an inadequately vented area or enclosure.
- If an accumulation of **natural gas** is ignited, an explosion will occur. Adequate venting will eliminate this danger. (For enclosures, this includes venting at the top of the enclosure, or the highest point where gas could accumulate.)

Refer to the **PROPANE CYLINDER HOUSING AND RESTRAINING REQUIREMENTS** section (if applicable). Observe all local codes.

### **INSTALLATION SAFETY GUIDELINES**

**THIS UNIT MUST BE INSTALLED SO THAT THE AREA AROUND THE UNIT AND PROPANE TANK (AND VENT OPENINGS ON THE ENCLOSURE IF APPLICABLE) REMAIN CLEAR AND FREE AT ALL TIMES.** See the **PROPANE CYLINDER HOUSING AND RESTRAINING REQUIREMENTS** section (if applicable).

**CAUTION: FOR YOUR SAFETY, you must provide openings in the enclosure for replacement air and ventilation (in case of possible leakage from gas connections or propane cylinders). Failure to do so may result in a fire or explosion causing property damage, bodily injury, or death.** See the **PROPANE CYLINDER HOUSING AND RESTRAINING REQUIREMENTS** section (if applicable).

The gas cylinder, regulator, and rubber hose must be in a location not subject to temperatures above **125° F (51° C)**.

IF A PROPANE CYLINDER IS INSTALLED, THE GUIDELINES FOUND IN THE **SAFE USE & MAINTENANCE OF PROPANE GAS CYLINDERS** SECTION MUST BE FOLLOWED. IF A PROPANE CYLINDER IS INSTALLED INSIDE AN ENCLOSURE, THE GUIDELINES FOUND IN THE **PROPANE CYLINDER HOUSING AND RESTRAINING REQUIREMENTS** SECTION MUST BE FOLLOWED.

## **OPERATING THE UNIT SAFELY AND CORRECTLY**

Every time you use the unit, **make sure that:**

1. The area around the unit (and enclosure if applicable) is clear and free from combustible materials, gasoline and flammable vapours and liquids.
2. There is no blockage of the airflow around the unit and propane tank, and through the enclosure if applicable.
3. The hose is inspected (if applicable). See **SAFE USE & MAINTENANCE OF PROPANE-GAS CYLINDERS** section.

**DO NOT** store any combustible materials, gasoline, and any other flammable vapours/liquids in the vicinity of the unit. Provide adequate clearance for servicing and operation.

# SAFE USE & MAINTENANCE OF PROPANE GAS CYLINDERS

## IMPORTANT FOR YOUR SAFETY

### READ AND FOLLOW ALL WARNINGS PROVIDED WITH THE PROPANE-GAS CYLINDER.

When operating this appliance with a propane-gas cylinder, these instructions and warnings **MUST** be observed.  
**FAILURE TO DO SO MAY RESULT IN A SERIOUS FIRE OR EXPLOSION.**

For requirements related to the installation of the cylinder, see the **PROPANE CYLINDER HOUSING AND RESTRAINING REQUIREMENTS** section.

## CYLINDER/CONNECTOR REQUIREMENTS

- Propane-gas cylinders, valves, and hoses must be maintained in good condition and inspected before each use of appliance. They must be replaced if there is any visible damage. If hose is cut or shows excessive abrasion or wear, it must be replaced before using appliance (see e.).
- This unit, when used with a cylinder, should be connected to a standard 5-gallon (20 lb.) propane-gas cylinder equipped with a listed overfilling prevention device. The device has been required on all cylinders sold since October 1, 1998, to prevent overfilling.
- Cylinder dimensions should be approximately 12" (30.5 cm) in diameter and 18" (45.7 cm) high. Cylinders must be constructed and marked in accordance with the U.S. Department of Transportation (D.O.T.) *Specifications for LP-Gas Cylinders*, or the *Standard for Cylinders, Spheres, and Tubes for Transportation of Dangerous Goods and Commission*, CAN/CSA-B339, as applicable.
- The cylinder used must include a collar to protect the cylinder valve. The cylinder supply system must be arranged for vapour withdrawal. See Fig. 7-1.
- When used with a cylinder, the gas supply system must be used with a pressure regulator. The pressure regulator and hose assembly (**not supplied**) used must match the specification for Type I by ANSI Z 21.58/CGA 1.6 and must comply with UL 144 as a part of the self-contained LP gas supply system (see Fig. 7-1).
- The propane-gas cylinder valve must be equipped with a cylinder connection device, described as Type I in the standard defined in paragraph e. above. This device is commonly described as an Acme thread coupler.
- If the cylinder comes with a dust plug, place it on the cylinder valve outlet whenever the cylinder is not in use. Only install the type of dust cap on the cylinder valve outlet that is provided with the cylinder valve. Other types of caps or plugs may result in leakage of propane.

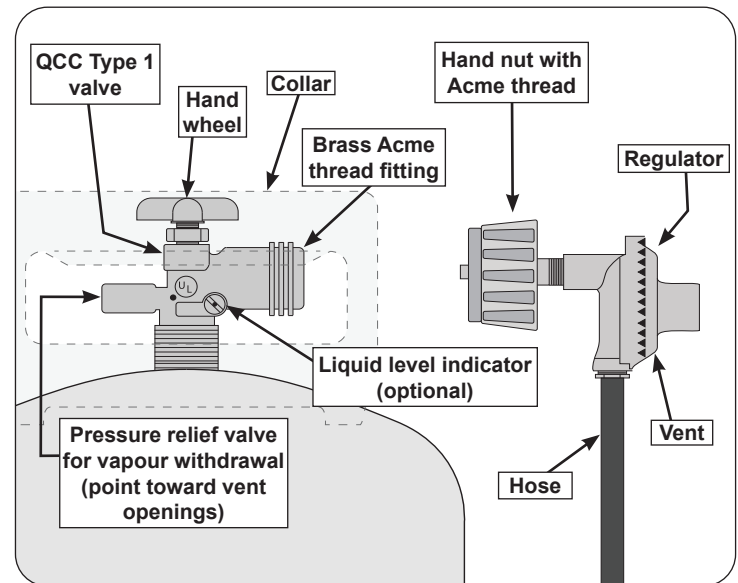


Fig. 7-1 Type I Acme thread coupler

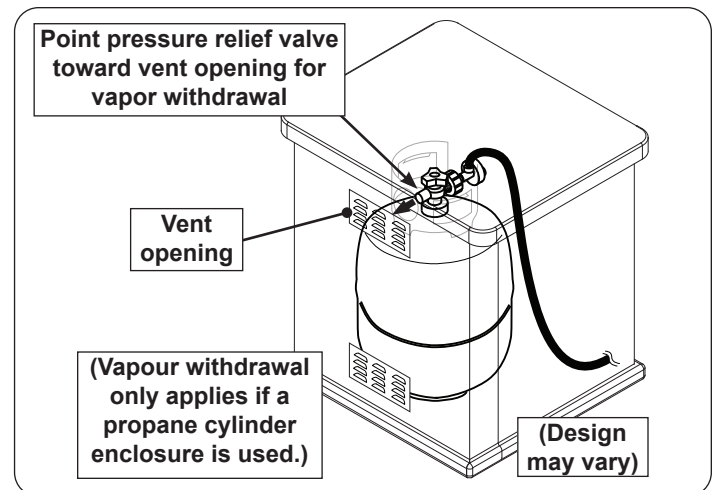


Fig. 7-2 Vapour withdrawal detail (if applicable)

## COUPLER OPERATION

**To connect the regulator/hose assembly to the propane-gas cylinder valve fitting:** Press the hand nut on the regulator over the Acme thread fitting on the cylinder valve. Turn the hand nut clockwise to engage the threads and tighten until snug. The use of pliers or a wrench should not be necessary. Only cylinders marked "propane" may be used.

**To disconnect:** Turn the hand nut counterclockwise until detached (Fig. 7-1).

# UTILISATION SÛRE ET ENTRETIEN DES CYLINDRES DE GAZ DE PROPANE

## IMPORTANT POUR VOTRE SÛRETÉ

LISEZ ET SUIVEZ TOUS LES AVERTISSEMENTS ÉQUIPÉS DE VOTRE CYLINDRE DE GAZ DE PROPANE.

En actionnant cet appareil avec un cylindre de gaz de propane ON DOIT observer ces instructions et avertissements.

**LE MANQUE DE FAIRE AINSI PEUT AVOIR COMME CONSÉQUENCE UNE INCENDIE OU UNE EXPLOSION SÉRIEUSE.**

**Pour les exigences liées à l'installation de la bouteille, consultez la section PROPANE CYLINDER HOUSING AND RESTRAINING REQUIREMENTS.**

### CYLINDRE ET CONDITIONS ET CARACTÉRISTIQUES DE CONNECTEUR

- Les bouteilles, les vannes et les tuyaux de propane doivent être entretenus et inspectés avant chaque utilisation. Ils doivent être remplacés en cas de dommages visibles. Si le tuyau est coupé ou présente des signes d'abrasion ou d'usure, il doit être remplacé avant utilisation (**voir e.**).
- Cette unité, lorsqu'elle est utilisée avec une bouteille, doit être connectée à une bouteille standard de gaz propane de 5 gallons (20 lb) équipée d'un dispositif anti-débordement répertorié. L'appareil est obligatoire sur toutes les bouteilles vendues depuis le 1er octobre 1998 afin d'empêcher tout remplissage excessif.
- Les dimensions du cylindre doivent être d'environ 12" (30,5 cm) de diamètre et 18" (45,7 cm) de hauteur. Les bouteilles doivent être construites et marquées conformément aux spécifications du ministère des Transports (DOT) pour les bouteilles à gaz LP ou à la norme relative aux bouteilles, sphères et tubes pour le transport des marchandises dangereuses et à la Commission, CAN / CSA-B339, selon le cas.
- La bouteille utilisée doit comporter un collier pour protéger le robinet de la bouteille. Le système d'alimentation de la bouteille doit être conçu pour le retrait de la vapeur. Voir Fig. 8-1.
- Lorsqu'il est utilisé avec une bouteille, le système d'alimentation en gaz doit être utilisé avec un régulateur de pression. Le régulateur de pression et l'ensemble de tuyau (**non fourni**) utilisés doivent correspondre à la spécification de type I par ANSI Z 21.58/CGA 1.6 et doivent être conformes à UL 144 en tant que partie du système d'alimentation en gaz propane autonome (voir Fig. 8-1).
- La valve de cylindre de gaz de propane doit être équipée d'un dispositif d'accouplement de raccordement de cylindre, décrit comme type I dans la norme définie dans le e. de paragraphe ci-dessus. Ce dispositif est généralement décrit comme coupleur de fil de point culminant.
- Si la bouteille est livrée avec un bouchon anti-poussière, placez-le sur la sortie du robinet de la bouteille chaque fois que la bouteille n'est pas utilisée. Installez uniquement le type de capuchon anti-poussière sur la sortie du robinet de la bouteille qui est fourni avec le robinet de la bouteille. D'autres types de bouchons ou de bouchons peuvent entraîner des fuites de propane.

### OPÉRATION DE COUPLEUR

**Pour relier le régulateur/hose à l'ajustage de précision de valve de cylindre de gaz de propane:** Serrez l'écrou de main sur le régulateur au-dessus de l'ajustage de précision de fil de point culminant sur la valve de cylindre. Tournez l'écrou de main dans le sens des aiguilles d'une montre pour engager les fils et pour serrer jusqu'à ce que douillettement. L'utilisation des pinces ou de la clé ne devrait pas être nécessaire. Seulement le "propane" marqué par cylindres doit être employé.

**Pour déconnecter:** tournez l'écrou à main dans le sens antihoraire jusqu'à ce qu'il soit détaché (Fig. 8-1)

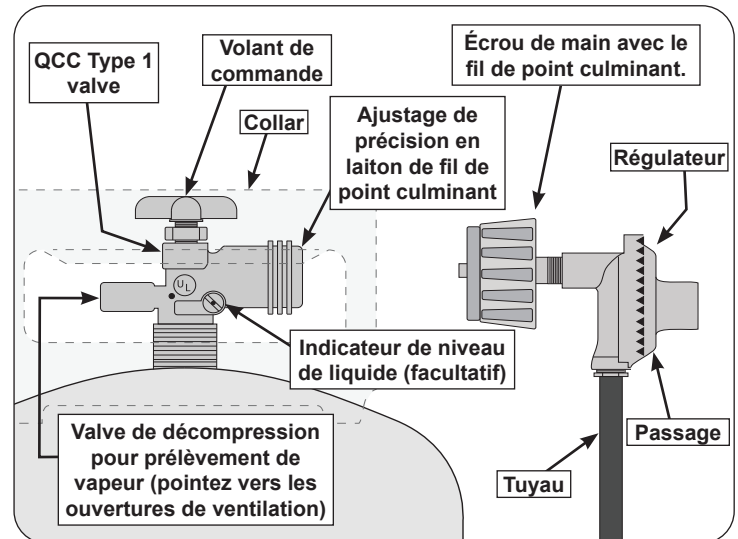


Fig. 8-1 Type coupleur de fil de point culminant d'I

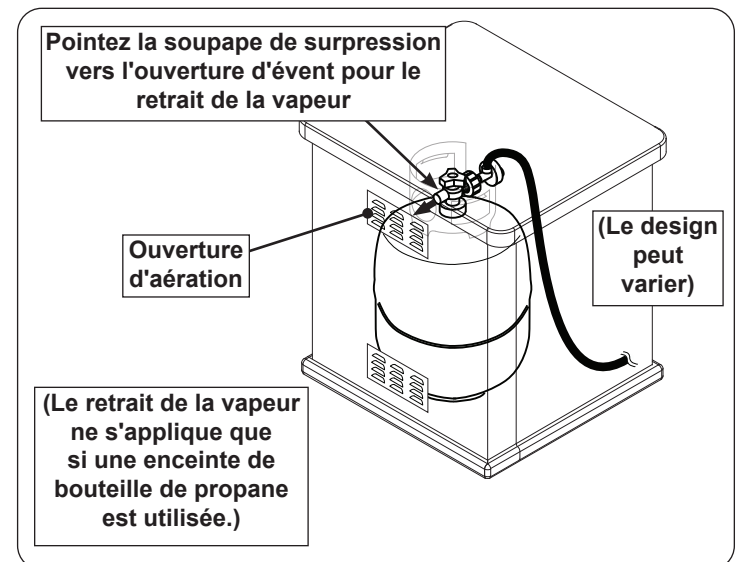


Fig. 8-2 Détail du retrait de vapeur (le cas échéant)



## SAFE USE & MAINTENANCE OF PROPANE GAS CYLINDERS (Cont.)

**Important:** Before using the unit, and after each time the cylinder is removed and reattached, check the hose for wear (see a.) and check all connections for leaks. Turn off the unit valves and open the main cylinder valve, then check connections with soapy water. **NEVER USE A FLAME TO CHECK FOR LEAKS.** Repair any leaks before lighting the unit.

**CAUTION:** Always turn the propane cylinder main valve off after each use, and before moving the unit and cylinder or disconnecting the coupling. This valve must remain closed and the cylinder disconnected while the appliance is not in use, even though the gas flow is stopped by a safety feature when the coupler is disconnected.

**Carefully** inspect the hose assembly each time before the gas is turned on. A cracked or frayed hose must be replaced immediately.

If the appliance is stored indoors, the cylinder must be disconnected and removed. Disconnected cylinders must be stored outdoors, out of the reach of children, with threaded valve plugs tightly installed, and must not be stored in a building, garage, or any other enclosed area.

### FOR YOUR SAFETY

- A. DO NOT store a spare propane-gas cylinder under or near this appliance.
- B. NEVER fill the cylinder beyond 80-percent full.
- C. IF THE INFORMATION IN a. AND b. IS NOT FOLLOWED EXACTLY, A FIRE CAUSING DEATH OR SERIOUS INJURY MAY OCCUR.
- D. **CGA 791 connections on LP gas cylinders:** The cylinder face elastomeric face seal element (rubber seal) on these devices could, over time, show marked and visible damage or deterioration that might cause a leak even with the connection tightened. A visual inspection for the seal must be carried out every time a LP gas cylinder is replaced or refilled. Any LP gas cylinder showing signs of damage or deterioration as illustrated in Fig. 9-1, including visible cracks and pitting, must be replaced.

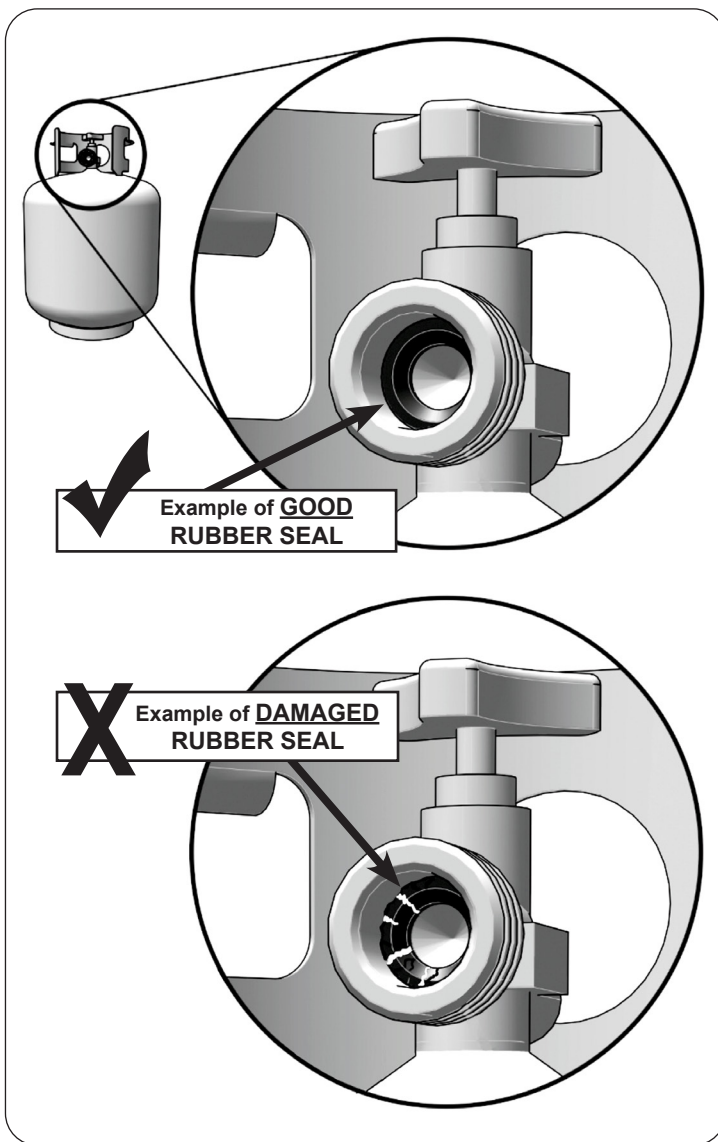


Fig. 9-1 Inspect rubber seal

**Important:** Avant d'employer le unité, et ensuite chaque fois que le cylindre est enlevé et rattaché, examinez tous les raccords pour détecter les fuites. Arrêtez les valves de unité et ouvrez la valve principale de cylindre, puis vérifiez les raccords avec de l'eau savonneux. **NE JAMAIS UTILISER UNE FLAMME POUR DÉTECTER DES FUITES.** Réparez toutes les fuites avant d'allumer le unité.

**ATTENTION:** Tournez toujours la valve principale de cylindre de propane au loin après chaque utilisation, et avant de déplacer le unité et le cylindre, ou débrancher l'accouplement. Cette valve doit rester fermée et le cylindre a débranché alors que l'appareil n'est pas en service, quoique l'écoulement de gaz soit arrêté par un dispositif de sûreté quand le coupleur est débranché.

**Inspectez soigneusement** l'ensemble de tuyau chaque fois avant que le gaz soit allumé. Un tuyau fissuré ou effiloché doit être immédiatement remplacé.

Si l'appareil est stocké à l'intérieur, le cylindre doit être disconnected et a enlevé. Des cylindres Disconnected doivent être stockés dehors, hors de la portée des enfants, avec les prises de valve filetées étroitement installées, et ne doivent pas être stockés dans un bâtiment, le garage, ou n'importe quel autre secteur inclus.

## POUR VOTRE SÛRETÉ

- a. Ne stockez pas un cylindre de gaz disponible de propane dessous ou ne vous approchez pas de cet appareil.
- b. Ne remplissez jamais cylindre au delà de 80 pour cent de plein.
- c. SI L'INFORMATION DANS "A" ET "B" N'EST PAS SUIVIE EXACTEMENT, UN FEU CAUSANT LA MORT OU DES DOMMAGES SÉRIEUX PEUT SE PRODUIRE.
- d. **Connexions CGA 791 sur les bouteilles de GPL :** L'élément d'étanchéité en caoutchouc du joint d'étanchéité de la face élastomère du cylindre sur ces appareils pourrait, avec le temps, présenter des dommages marqués et visibles ou une détérioration qui pourrait causer une fuite même avec la connexion serrée. Une inspection visuelle du joint doit être effectuée chaque fois qu'une bouteille de GPL est remplacée ou remplie. Toute bouteille de GPL présentant des signes de dommages ou de détérioration, tel qu'illustré à la Fig. 10-1, y compris des fissures et des piqûres visibles, doit être remplacée.

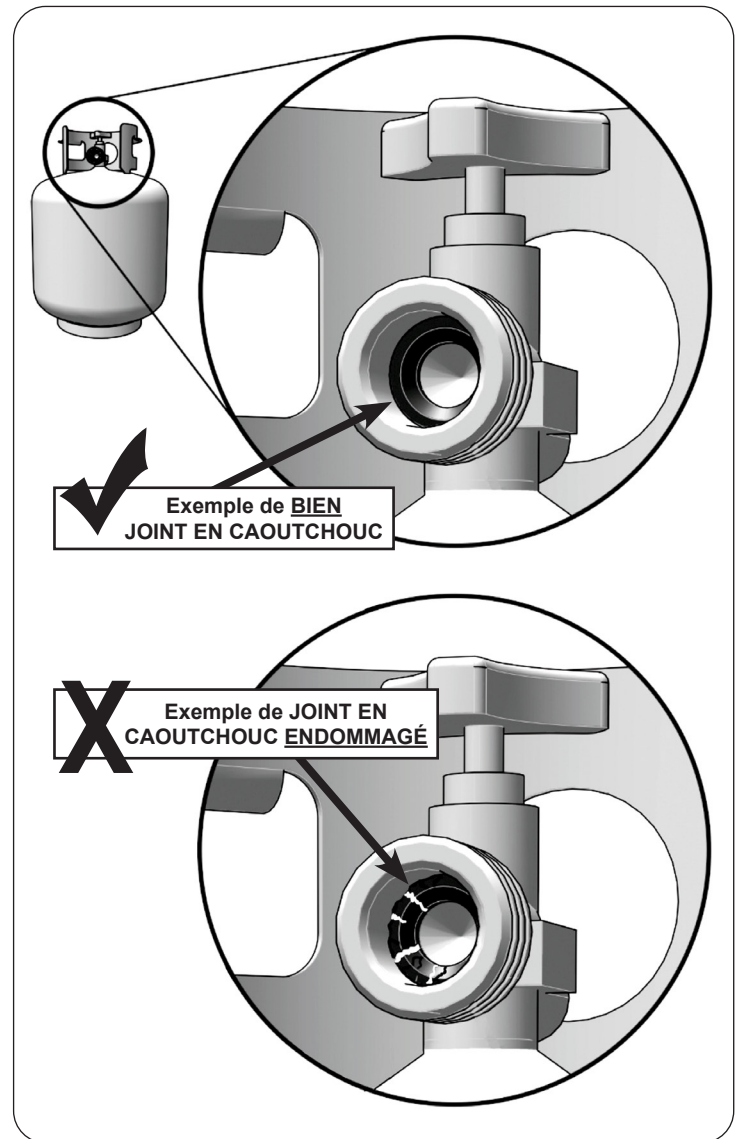


Fig. 10-1 Inspecter le joint en caoutchouc

# PROPANE CYLINDER HOUSING AND RESTRAINING REQUIREMENTS

Propane cylinder holders are available. They meet all housing and restraining requirements. Contact your local dealer. For requirements regarding custom-built propane cylinder enclosures, see below.

To ensure proper operation and safety the propane cylinder enclosure **MUST** comply with the following:

- Proper construction - see ENCLOSURE PARAMETERS section.
- Proper ventilation - see VENTILATION section.
- Proper clearances - see INSTALLATION REQUIREMENTS section.

You **MUST** read and follow these sections for complete enclosure requirement details.

## PROPANE CYLINDER ENCLOSURE PARAMETERS

### General Guidelines

The enclosure can be constructed according to your individual preference, while following all guidelines found in this manual. **The enclosure MUST (see Fig. 11-1):**

- be installed in a safe location on a hard and level surface
- be properly vented (see VENTILATION section)
- be constructed of non-combustible materials
- have the minimum dimensions specified in Fig. 11-1
- have the minimum cutout dimensions (see CUTOUT DIMENSIONS section)
- use an L.P. regulator hose assembly (not included) to connect the unit to the propane cylinder:
  - Single stage: maximum BTU capacity 95k
  - above ground
  - maximum 6 feet in length
- provide a 1" x 1" minimum cutout for the hose assembly
- be constructed so that the cylinder is properly secured, and sits at least 2" above the floor (use mechanical means to secure the cylinder to prevent it from tipping over - see below for an example)
- have a connector that complies with the Standard for *Connectors for Outdoor Gas Appliances and Manufactured Homes, ANSI Z21.75 • CSA 6.27*, and is suitable for outside installation. The maximum length of the connection shall be 6 feet (1.82 m).
- have drainage cutouts (if needed) to prevent the accumulation of water within the enclosure
- meet all requirements found in Fig. 11-1 and the following sections

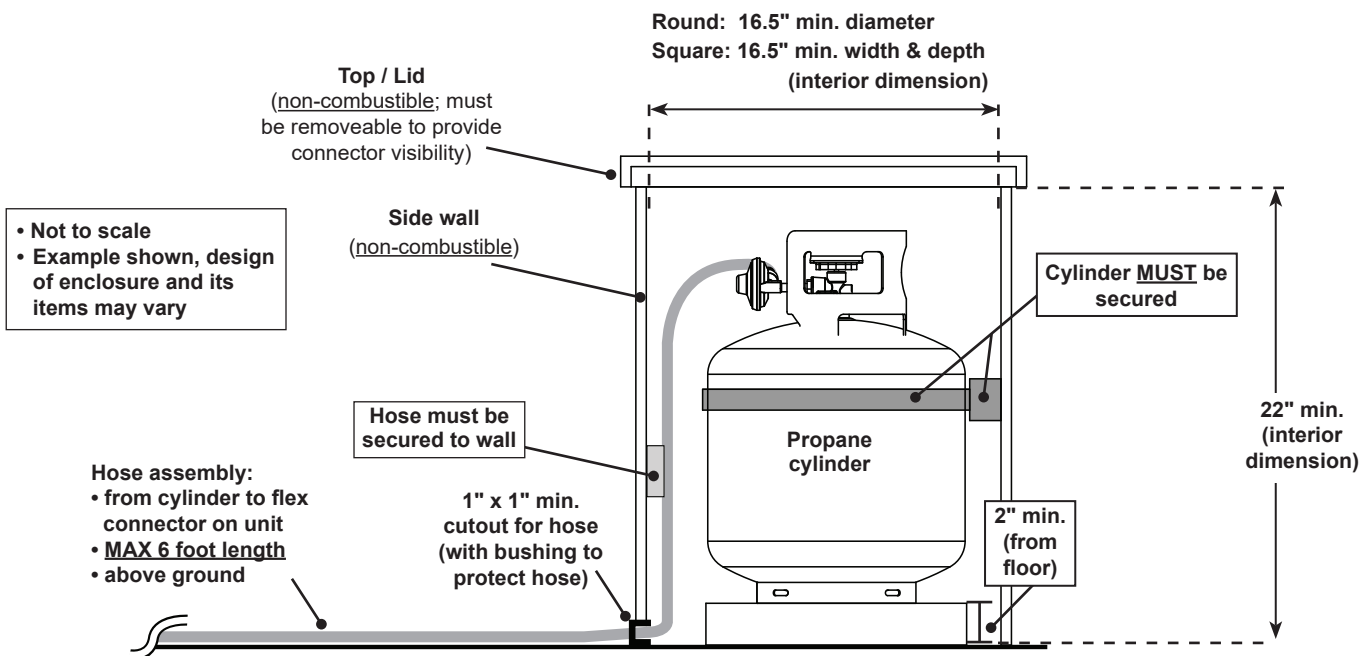


Fig. 11-1 Propane cylinder enclosure specifications (side view)

# PROPANE CYLINDER HOUSING AND RESTRAINING REQUIREMENTS (Cont.)

## Ventilation

**FOR YOUR SAFETY**, you must provide the openings listed below for replacement air and ventilation of the enclosure (in case of possible leakage from gas connections or L.P. cylinders). **Failure to do so may result in a fire or explosion causing property damage, bodily injury, or death.**

One side of the enclosure shall be left completely open to the outside; **OR** 4 minimum vent openings (2 at top and 2 at floor level) **MUST** be created (reference Fig. 12-1 and Fig. 12-2):

- Each opening **at the top level** must have a minimum of **10 sq. in.** of free area. The openings must be equally sized.
- Each opening **at the floor level** must have a minimum of **5 sq. in.** of free area. The openings must be equally sized.
- **Ventilation total of 30 sq. in. free area.**
- Each opening at the top level must be on adjacent walls of the enclosure, and spaced at a minimum of 90 degrees. The openings must begin 1" or less below the countertop level and end no more than 5" below the countertop level.
- Each opening at the floor level must be on adjacent walls of the enclosure, and spaced at a minimum of 90 degrees. The openings must begin 1" or less above the floor level and end no more than 5" above the floor level.
- Every opening shall have a minimum dimension so as to permit the entrance of a  $\frac{3}{16}$ " (4.8 mm) rod.
- **The openings must remain unobstructed:**  
The clearance between the openings and any items outside of the enclosure is a minimum of 6". The clearance between the openings and cylinder within the enclosure is a minimum of 2". See Fig. 12-2.

It is acceptable to use RHP venting panels (PN 5510-01). Contact your dealer.

**KEEP THE REQUIRED VENT OPENINGS AND SURROUNDING AREA OF THE ENCLOSURE CLEAR AND FREE AT ALL TIMES.**

### Ventilation Requirements:

- Minimum 4 openings (2 at top & 2 at floor level)
- 2 per adjacent wall - spaced at min. 90 degrees
- Top openings: min. 10 sq. in. of free area each, within 5" of countertop (20 sq. in. top ventilation) (see illustration)
- Floor openings: min. 5 sq. in. of free area each, within 5" of floor (10 sq. in. floor ventilation) (see illustration)
- Total = 30 sq. in. free area

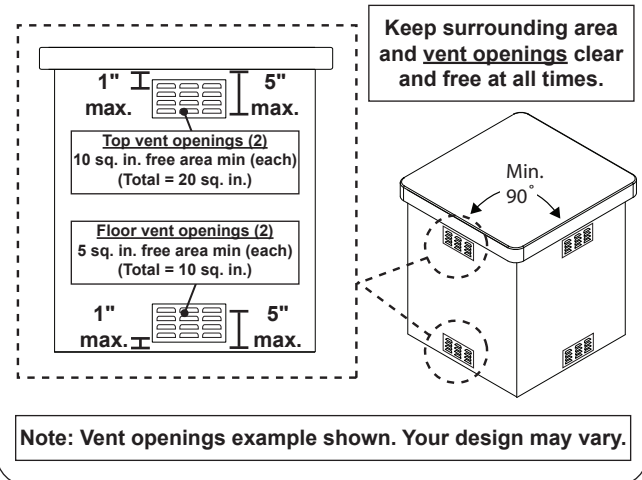


Fig. 12-1 Ventilation Detail

- 6" min. clearance between all vent openings and any items outside of enclosure
- 2" min. clearance between all vent openings and cylinder within enclosure

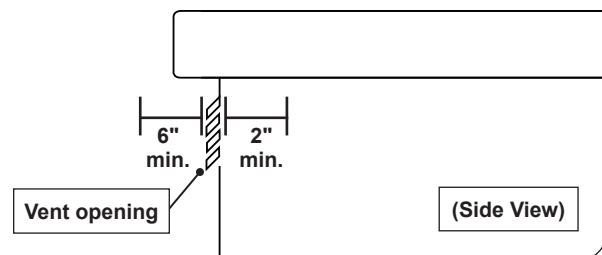


Fig. 12-2 Vent openings clearance

# INSTALLATION REQUIREMENTS

Installation must be performed by a qualified professional service technician.

This unit is designed for outdoor use only. **DO NOT** use this unit inside a building, garage, or enclosed area. **DO NOT** install this unit in or on a recreational vehicle or boat.

**Any constructed outdoor area in which the appliance is used shall comply with one of the following:**

- An outdoor area with walls on three sides, and no overhead cover
- Within a partial outdoor area that includes an overhead cover and no more than two walls. The sidewalls may be parallel, as in a breezeway, or at right angles to each other
- Within a partial outdoor area that includes an overhead cover with walls on three sides, and at least 30% or more of the horizontal periphery of the enclosure that is open and unrestricted

**Note:** All openings must be permanently open.

**Note:** Sliding doors, garage doors, windows, or screened openings are not considered as permanent openings.

Refer to DIAGRAMMATICAL REPRESENTATIONS OF OUTDOOR AREAS section.

## EXHAUST HOOD

**Important: DO NOT use this appliance under combustible overhead construction.**

When installed under overhead non-combustible construction, an exhaust hood is highly recommended; see exhaust hood information below and Fig. 13-1.

When using an exhaust hood, the area above the cooking surface of the grill must be covered with a hood larger than the cooking area of the grill, and with a minimum of 1000 CFM (cubic feet per minute) rated exhaust fan for proper outdoor application.

An AOG vent hood is available to pair with your grill. See Table 2. Contact your dealer.

- If using a custom spacer with the vent hood, it **must be constructed entirely of non-combustible material only.**
- If using a custom soffit with the vent hood, it may be constructed of wood, metal framing, etc.

## Clearances

A minimum 5 foot clearance is required between the cooking surface and the overhead construction. (No combustible materials are allowed within this area.)

## PROPANE ENCLOSURE CLEARANCES (If applicable)

The cylinder enclosure must have a minimum side clearance from any construction. See Fig. 13-2.

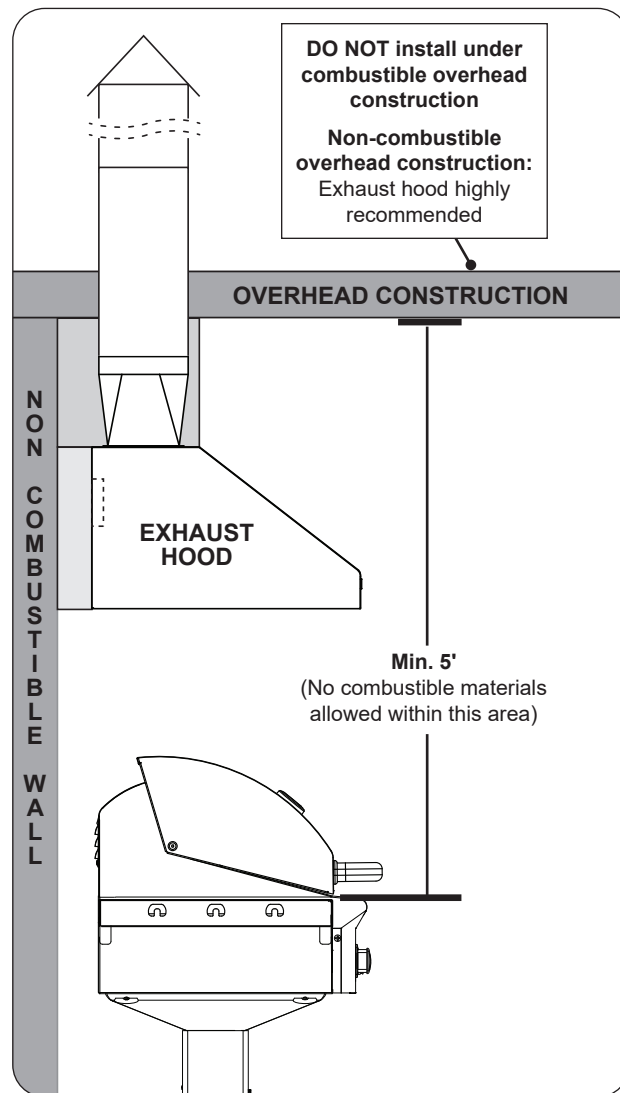


Fig. 13-1 Overhead requirements

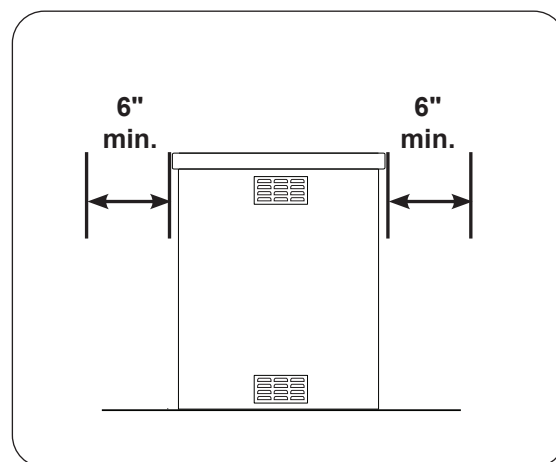


Fig. 13-2 Cylinder clearances (if applicable)



# INSTALLATION REQUIREMENTS (Cont.)

## REAR WALL CLEARANCES

For the minimum clearances between the unit and rear walls, your setup must fall within one (or more) of the following:

### A. Clearance between unit and strictly non-combustible rear wall

(i.e. brick wall, see Fig. 14-1)

- The unit must have a minimum clearance of 4" from the non-combustible rear wall.  
(To allow for proper ventilation and prevent dangerous overheating.)

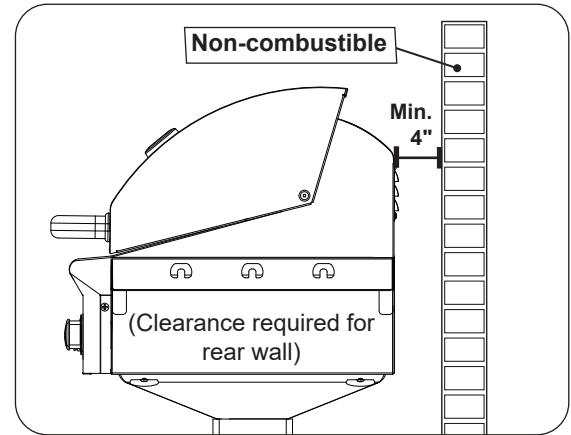


Fig. 14-1 Clearance 'A' Diagram

### B. Clearance between unit and a protected combustible rear wall

(i.e. a non-combustible wall in front of a combustible wall to serve as a barrier. This can be accomplished by brick, or a metal stud finished with non-combustible substrate, see Fig. 14-2)

- The unit must have a minimum clearance of 12" from the protected combustible rear wall.  
(The 4" non-combustible material plus an additional 8" clearance between the unit and protected rear wall.)

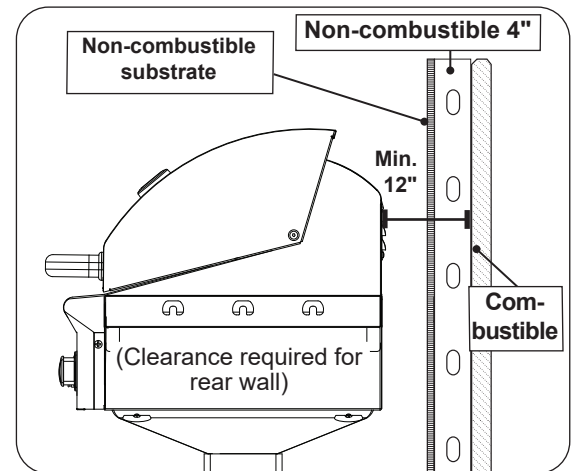


Fig. 14-2 Clearance 'B' Diagram

### C. Clearance between unit and combustible rear wall

- The unit must have a minimum clearance of 15" from the combustible rear wall (see Fig. 14-3).

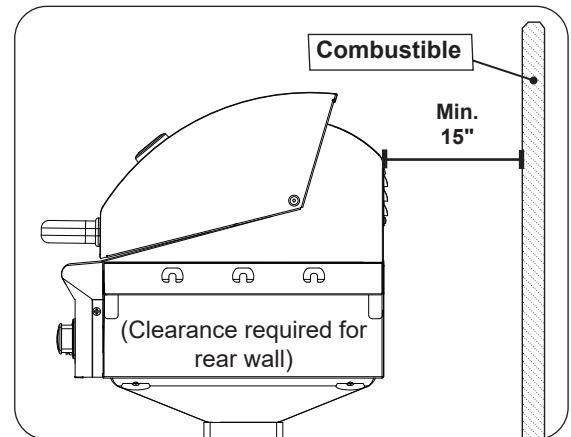


Fig. 14-3 Clearance 'C' Diagram

## SIDE / CORNER WALL CLEARANCES (if applicable)

The unit must have a minimum clearance of 24" from any side walls (to account for variables in airflow that could affect performance). See Fig. 14-4.

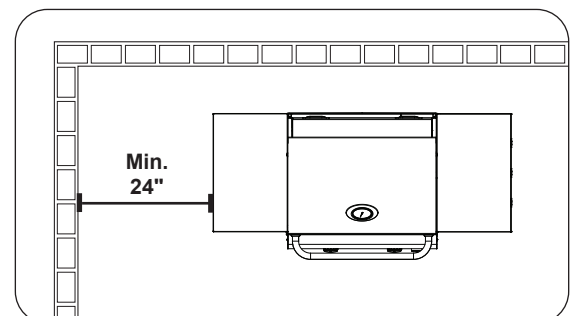


Fig. 14-4 Side/corner wall clearance

## INSTALLATION REQUIREMENTS (Cont.)

The control panel MUST remain removable for servicing (see CONTROL PANEL REMOVAL section).

### COMBUSTION AIR AND COOLING AIRFLOW

Proper airflow (front-to-back, Fig. 15-1) MUST be maintained for the unit to perform as it was designed. If airflow is blocked, overheating and poor combustion will result. Do not block the front air inlet along the bottom of the control panel.

**CAUTION:** Wind blowing into or across the rear oven lid vent (Fig. 15-3) can cause poor performance and/or dangerous overheating. Install the grill so that the prevailing wind blows toward the front of the grill (Fig. 15-2). **A wind deflector is available for purchase to assist in proper airflow during windy conditions.** See Table 3 for model numbers. Follow the instructions included with the wind deflector for installation.

### GAS-SUPPLY PLUMBING REQUIREMENTS

The gas supply is to be routed and connected to the flex connector from behind the post, from beneath the post, or within the post from underground. Your individual installation may vary. **Observe the National Fuel Gas Code and all local codes. Leak test at all connections.**

**The gas supply must be sized to provide minimum inlet pressure at the maximum flow rate (BTU/hr).** Undue pressure loss will occur if the pipe is too small, or the run is too long. Gas supply pipe must be 1/2" minimum interior diameter. If the gas line is longer than 20', a larger diameter line may be necessary. Refer to the NFPA 54 guidelines for further details.

A C.S.A. approved stainless steel flex connector is included and pre-installed to the regulator (inside of post), and routes to the gas supply. A flare-to-NPT adapter is provided for 1/2" pipe. The use of any rigid pipe, semi-rigid tubing, and connectors must comply with the Standard for *Connectors for Outdoor Gas Appliances and Manufactured Homes*, ANSI Z21. 75 (CSA 6.27).

Use a pipe joint compound resistant to all gasses on all NPT pipe fittings. Make sure to tighten every fitting securely. **Do not use pipe joint compound to connect flare fittings.**

**Important:** A shut-off valve (not included) in the gas supply line is required. It must be installed within 6 feet of the unit and must be easily accessible. Use a pipe joint compound resistant to all gasses on all NPT pipe fittings **except flare fittings.** Refer to NFPA 54 guidelines for further details.

### GAS SUPPLY INLET PRESSURES:

For **natural gas** - normal 7" water column (w.c.), minimum 5", maximum 10 1/2". For **propane gas** - normal 11" w.c., minimum 10", maximum 13".

**Note:** An additional regulator may be needed to meet these requirements.

**Note:** A sediment trap in the gas supply line is recommended where applicable. It should be installed downstream of the shut-off valve as close to the unit as possible. Refer to NFPA 54 guidelines for further details.

### IN-GROUND POST CORROSION REQUIREMENTS

In-ground metallic posts must be protected against corrosion as warranted by soil conditions. The stainless-steel post offers some protection against corrosion; however, the installation may require additional protection. Corrosion protection must be provided as needed with a suitable coating to retard the effects of corrosion conditions existing in your local area.

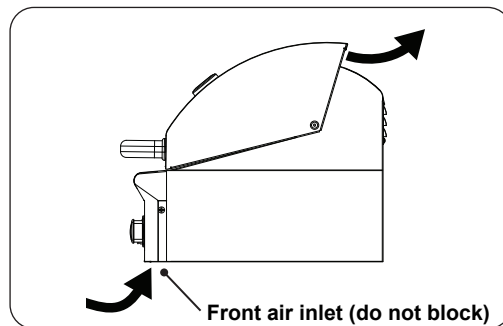


Fig. 15-1 Airflow diagram



Fig. 15-2 Airflow direction - CORRECT

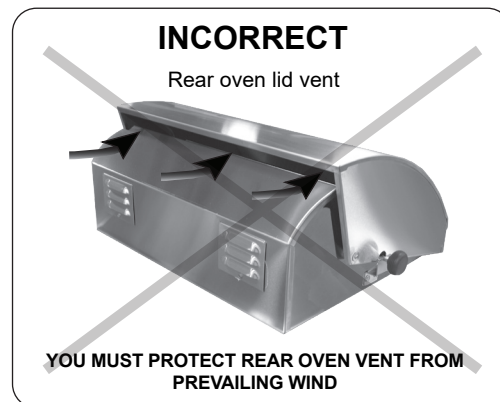
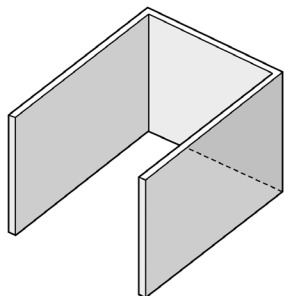


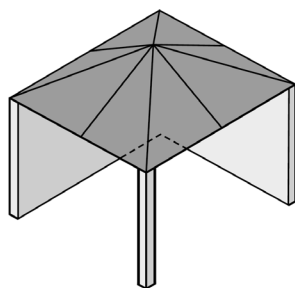
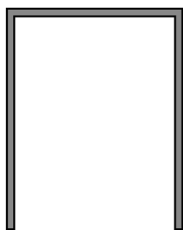
Fig. 15-3 Airflow direction - INCORRECT

# DIAGRAMMATICAL REPRESENTATIONS OF OUTDOOR AREAS

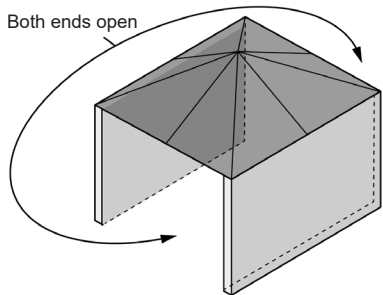
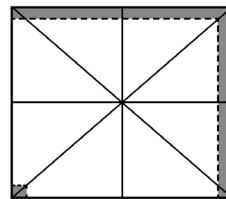
The following figures are diagrammatical representations of outdoor areas, as defined in Clause 4.25.3. See INSTALLATION REQUIREMENTS section.



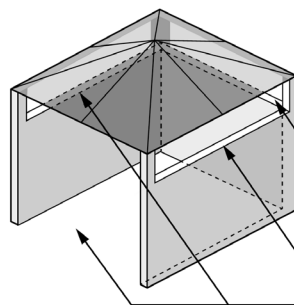
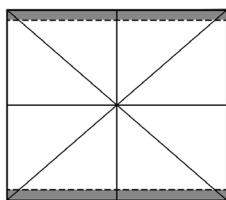
**Fig. 16-1** Outdoor area - Example 1



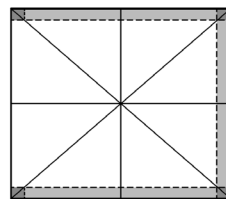
**Fig. 16-2** Outdoor area - Example 2



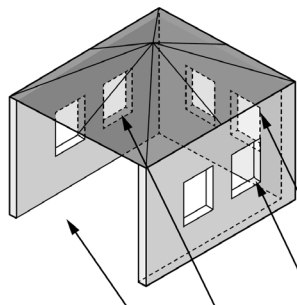
**Fig. 16-3** Outdoor area - Example 3



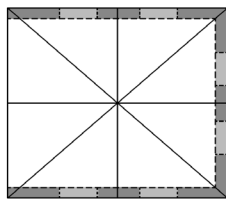
**Fig. 16-4** Outdoor area - Example 4



30% or more of the horizontal periphery of the enclosure is open and unrestricted



**Fig. 16-5** Outdoor area - Example 5



30% or more of the horizontal periphery of the enclosure is open and unrestricted

# MODEL SPECIFICATIONS

		<b>"T" Series 24" (In-Ground &amp; Patio Mount)</b>	
		Nat.	L.P.
<b>Main burner</b>	Quantity	2	2
	Orifice drill size	1.82mm	1.16mm
	Air shutter opening †	1/4"	1/4"
<b>Backburner *</b>	Orifice drill size	#53	#64

\* If equipped  
† These are air shutter factory settings. These settings may require adjustment due to gas conversion, altitude, or other local conditions. See AIR SHUTTER ADJUSTMENT / BURNER FLAME INSPECTION section.

**Table 1 - Product Specifications**

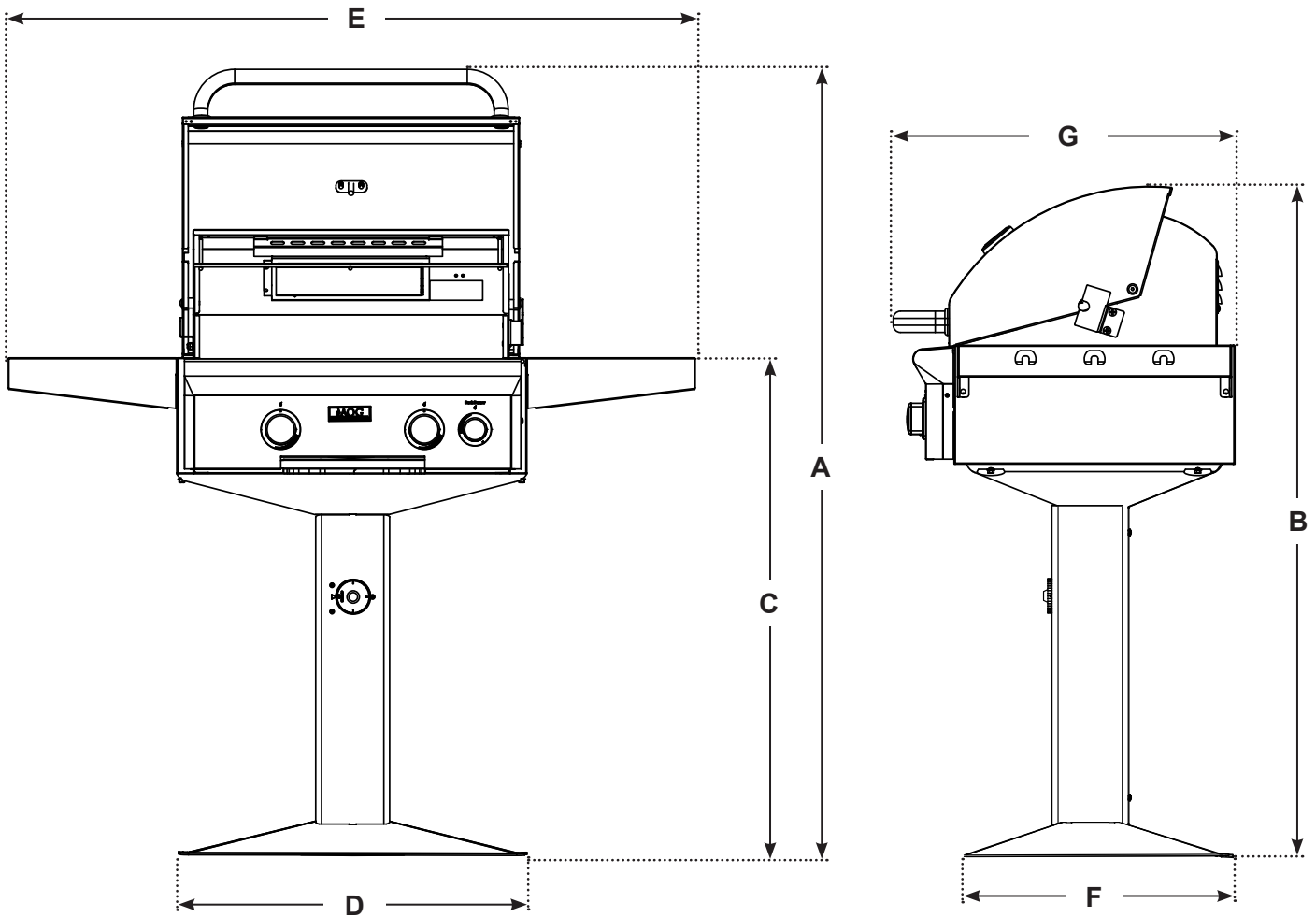
	<b>"T" Series 24" (In-Ground &amp; Patio Mount)</b>
Wind deflector model # *	24-B-24
Vent hood model # *	VHD-36
Propane Tank Holder (patio mount models only) *	TH-PP-2
Grill complete maintenance kit model # *	MCK-1

\* If applicable, not included

**Table 2 - Grill Supporting Products**

Height			Width		Depth	
Floor to top		Floor to top of shelf (C)	Left to right		Front to back	
With oven lid OPEN (A)	With oven lid CLOSED (B)		Post base (D)	Shelf to shelf (E)	Post base (F)	Maximum outer (G)
58 1/2"	48"	36 1/2"	26"	51"	20 1/4"	24 3/4"

**Table 3 - Post Patio Mount Grill Dimensions**



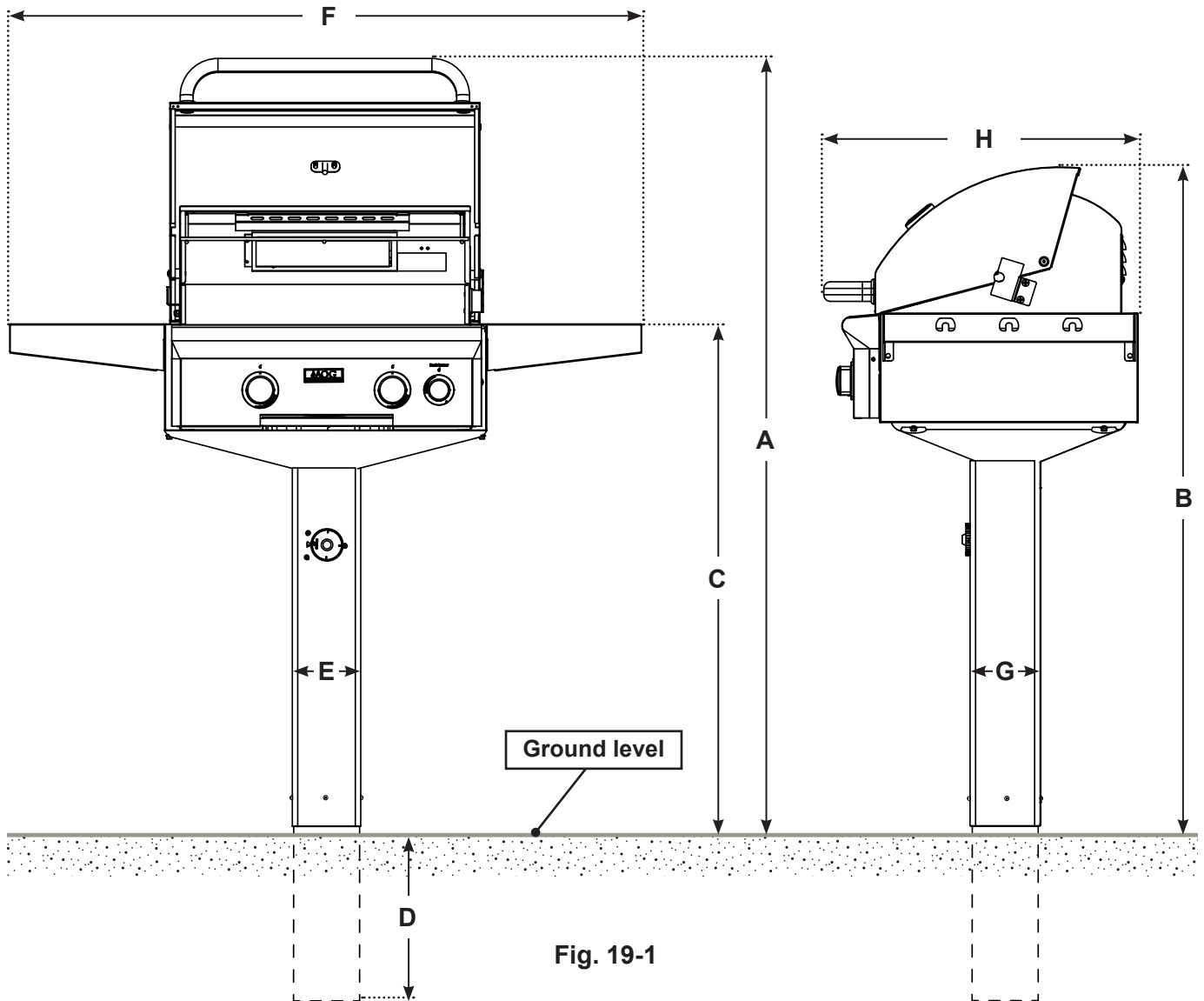
**Fig. 18-1**



Height*				Width		Depth	
Floor to top		Floor to top of shelf (C)	Floor to bottom of extension below ground (D)	Left to right		Front to back	
With oven lid OPEN (A)	With oven lid CLOSED (B)			Post (E)	Shelf to shelf (F)	Post (G)	Maximum outer (H)
59"	48 1/2"	36 1/2"	18"	5 1/2"	51"	5 1/2"	24 3/4"

\*Note: Height dimensions are approximate from ground level once installed.

**Table 4 - In-Ground Post Grill Dimensions**



**Fig. 19-1**

# AOG GRILL REPLACEMENT PARTS LIST

## IMPORTANT

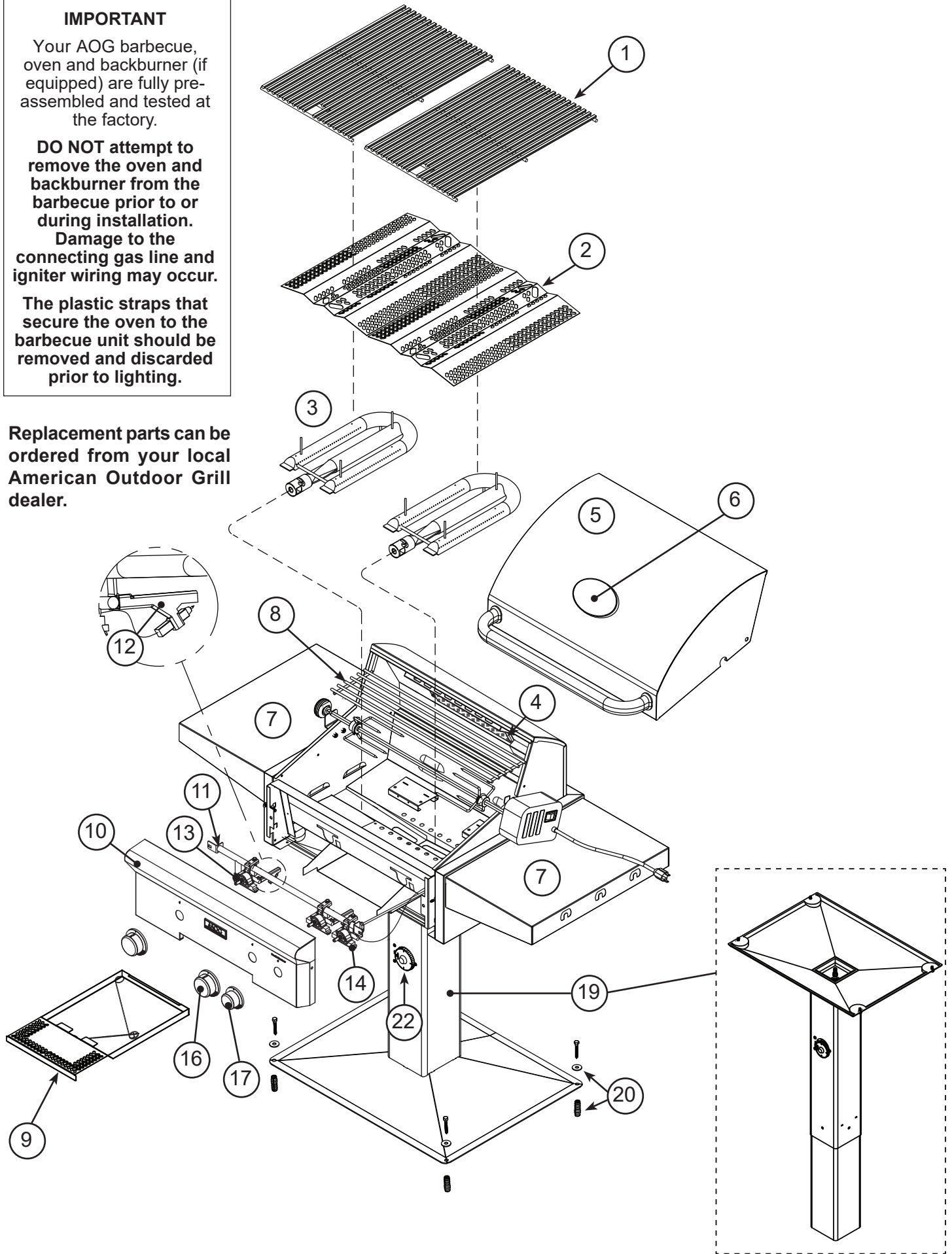
Your AOG barbecue, oven and backburner (if equipped) are fully pre-assembled and tested at the factory.

**DO NOT** attempt to remove the oven and backburner from the barbecue prior to or during installation.

Damage to the connecting gas line and igniter wiring may occur.

The plastic straps that secure the oven to the barbecue unit should be removed and discarded prior to lighting.

Replacement parts can be ordered from your local American Outdoor Grill dealer.



## AOG GRILL REPLACEMENT PARTS LIST (Cont.)

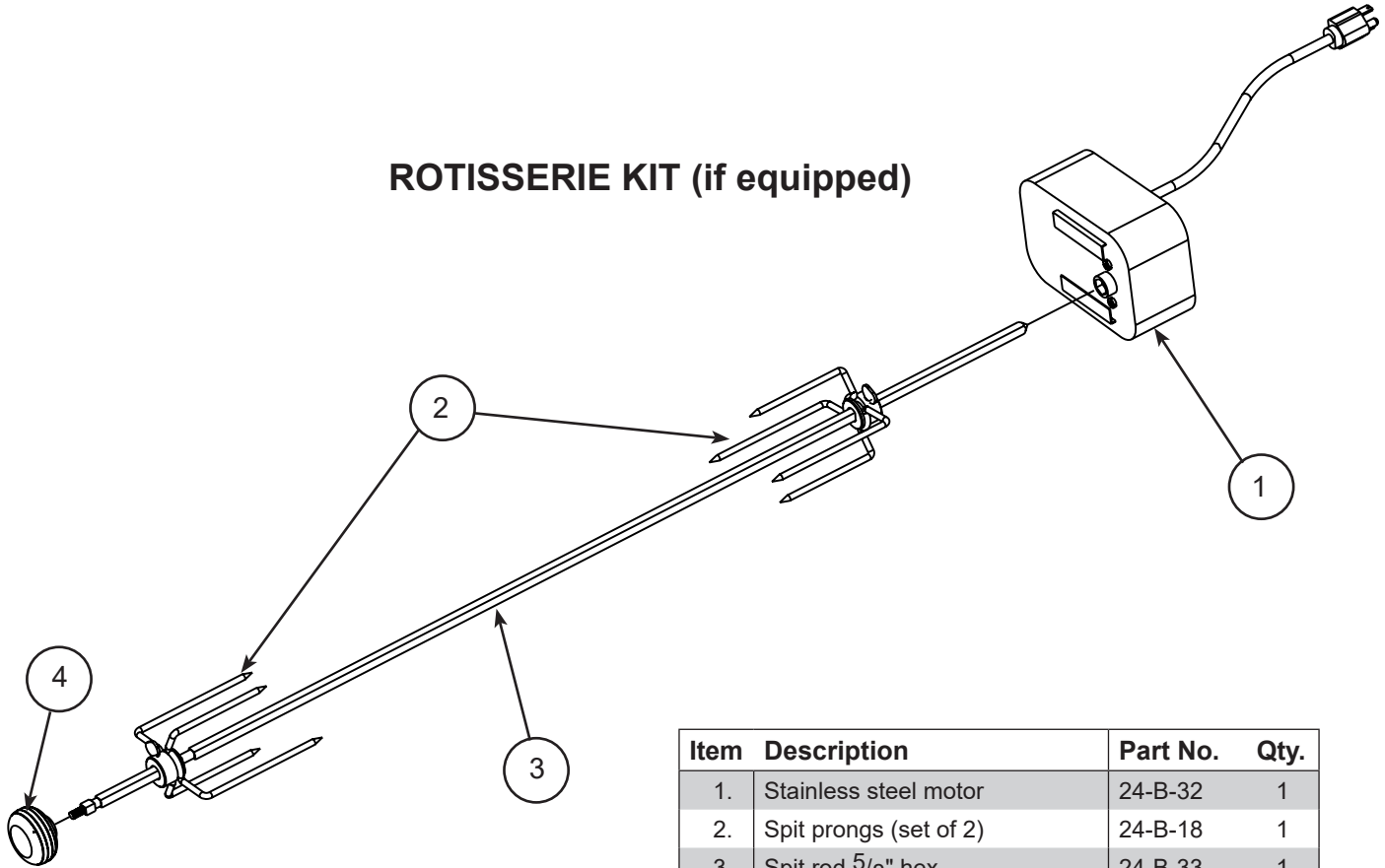
Item	Description	Part No.	Qty.
1.	Stainless cooking grid (set of 2)	24-B-11A	1
2.	Vaporizer panel (set of 2)	24-B-05-2	1
3.	Main burner	24-B-06	2
4.	Backburner *	24-B-17A	1
5.	Oven lid w/ oven thermometer	24-B-25A	1
6.	Oven lid thermometer only	23305	1
7.	Shelf	24-C-01	2
8.	Warming rack	24-B-02A	1
9.	Drip tray with match holder	3083	1
10.	Control panel w/ backburner	24-B-26T	1
	or Control panel w/o backburner †	24-B-27T	1
11.	Valve manifold w/ backburner (nat. gas)	24-B-08T	1
	or Valve manifold w/ backburner (L.P. gas)	24-B-08TP	1
	or Valve manifold w/o backburner (nat. gas)†	24-B-34T	1
	or Valve manifold w/o backburner (L.P. gas)†	24-B-34TP	1
12.	Main burner igniter assy only	24-B-04T	2
13.	Main burner valve w/ igniter assy	24-B-20T	2
14.	Backburner valve *†	24-B-50T	1
15.	Backburner igniter assy *†	24-B-03T	1
16.	Large knob	24-B-37T	2
17.	Small knob *	24-B-38T	1
18.	Rear access plate †	24-C-21	1
19.	Patio mount post base w/ hardware ‡	24-C-40	1
	or In-ground post base w/ hardware ‡	24-C-41	1
20.	Patio mount hardware kit w/ lag shields and lag screws (if applicable)	24-C-20	1
21.	Convertible regulator †	PR-4	1
22.	Timer valve (1 hour)	3092A	1
23.	Flex connector w/ fittings †	3035	1

\* If equipped

† Not shown

‡ For replacement only (not conversion)

**ROTISSERIE KIT (if equipped)**



Item	Description	Part No.	Qty.
1.	Stainless steel motor	24-B-32	1
2.	Spit prongs (set of 2)	24-B-18	1
3.	Spit rod $\frac{5}{8}$ " hex	24-B-33	1
4.	Handle knob	24-B-09	1

## CONSTRUCT PROPANE CYLINDER ENCLOSURE (IF APPLICABLE)

If a propane cylinder is being used as the gas source, and a propane cylinder holder has not been purchased (see Table 2), a custom-built cylinder enclosure must be constructed.

Construct the enclosure according to your individual install preference, while following the guidelines found in the PROPANE CYLINDER HOUSING AND RESTRAINING REQUIREMENTS section.

- Construct the enclosure in an appropriate location (Ensure all requirements of this manual and all local codes are met when determining location).
- **Follow all information regarding enclosure parameters, ventilation, drainage, and clearances listed in the PROPANE CYLINDER HOUSING AND RESTRAINING REQUIREMENTS and MINIMUM CLEARANCES sections.** Failure to do so will prevent proper operation and can cause property damage or personal injury.

Refer to the appropriate assembly section on the following pages (based on your post model).

- Not to scale
- Example shown, design may vary
- See PROPANE CYLINDER HOUSING AND RESTRAINING REQUIREMENTS section for details

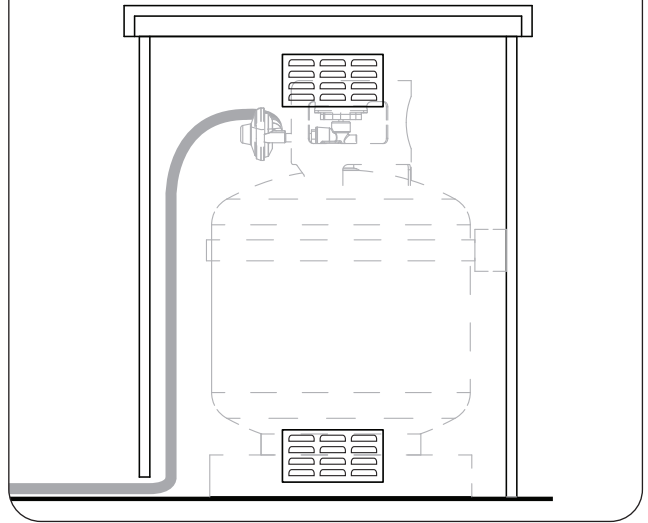


Fig. 23-1 L.P. Cylinder enclosure construction overview (if applicable)



# PATIO MOUNT INSTALLATION

It is not required to remove the control panel or knobs to install this unit.

**DO NOT** lift the unit from the control panel when installing.

## PREPARE FOR INSTALLATION

Consult a qualified professional installer.

The flex connector can be routed out the back of the post, under the post base, or inside the post.

To gain access to the inside of the post, unscrew and carefully open the access plate on the rear of the post using a medium Phillips-head screwdriver. Retain the screws.

## ROUTE FLEX CONNECTOR

The gas supply line will need to be run to the post install location as appropriate for the desired setup.

### To route flex connector through rear of post:

1. Remove a knock-out disk at the bottom of the access plate with a large flathead screwdriver. (Insert the screwdriver into the notch provided in the center of the knock-out.)
2. Remove the plastic grommet (attached to the flex connector) and insert it into the newly created opening. Then route the flex connector through the opening. See Fig. 24-1 and 24-2.

### To route flex connector beneath post base:

Route the flex connector through the hole found beneath the center of the post base (see Fig. 24-3).

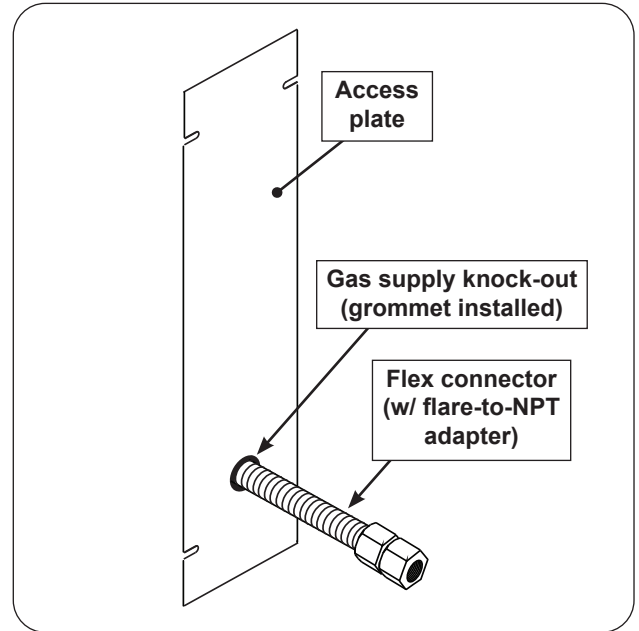


Fig. 24-1 Access plate view & install orientation

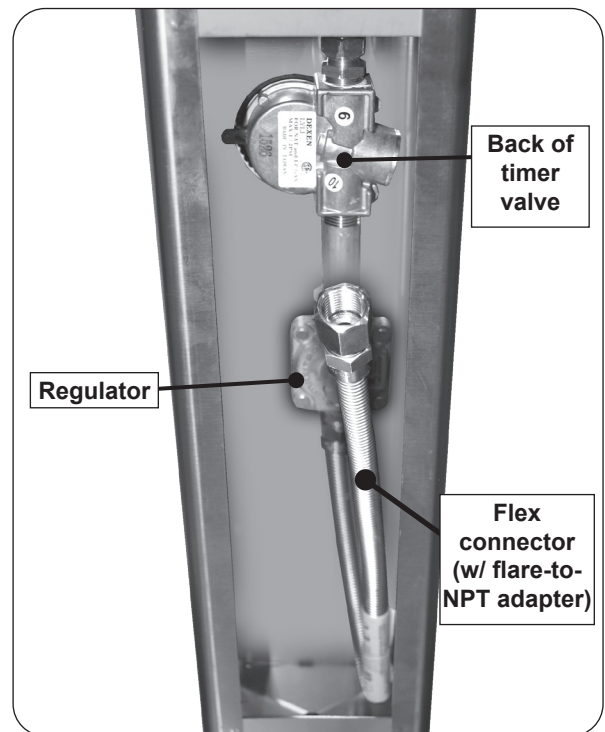


Fig. 24-2 Post interior detail

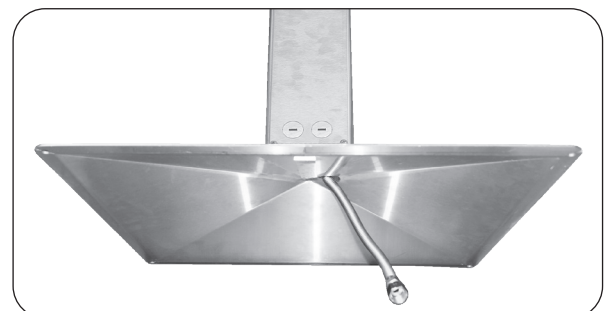


Fig. 24-3 Post base option

## CONNECT GAS SUPPLY

### To Connect To Propane Cylinder:

Read the safety warnings and follow the instructions in the section SAFE USE AND MAINTENANCE OF PROPANE GAS CYLINDERS.

- If installing the cylinder with a separately purchased propane cylinder holder, also follow the instructions supplied with the holder for all installation details.
- If installing the cylinder into a custom-built enclosure, also follow all information in the PROPANE CYLINDER HOUSING AND RESTRAINING REQUIREMENTS section of this manual.
- Only a C.S.A. listed stainless steel flex connector can be connected to the unit.
- The regulator/hose assembly coming from the cylinder can only be connected to the above mentioned flex connector. A 1/2" male-to-male flare adapter will be required (not included). **DO NOT connect the regulator/hose assembly directly to the unit.**

### To Connect To Natural Or Household Propane Gas Supply:

- Before connecting the gas supply to your appliance, pressures MUST be tested and MUST NOT exceed 10.5" w.c. for Nat. gas and 13" w.c. for L.P. gas. An additional regulator may be required.
- Refer to the GAS SUPPLY PLUMBING REQUIREMENTS section for all details on the gas supply and its setup.

1. Turn OFF the gas supply at the source.
2. Route the flex connector to the gas supply stub.
3. A shut-off valve is required within 6 feet of the unit and must be easily accessible.

#### ***If shut-off valve is installed in-line:***

- Install the supplied flare-to-NPT adapter to the gas supply (NPT) using a pipe joint compound resistant to all gasses (see Fig. 25-2, A). Tighten securely.
- Connect the flex connector to the adapter (see Fig. 25-2, A). Tighten securely.

#### ***If shut-off valve is connected to end of gas supply stub:***

- Connect the flex connector to the shut-off valve (flare) (see Fig. 25-2, B). Tighten securely.

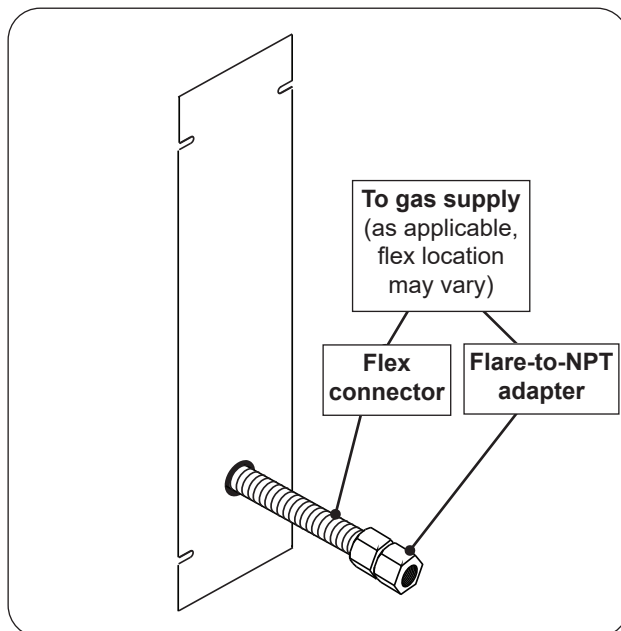


Fig. 25-1 Flex connector detail

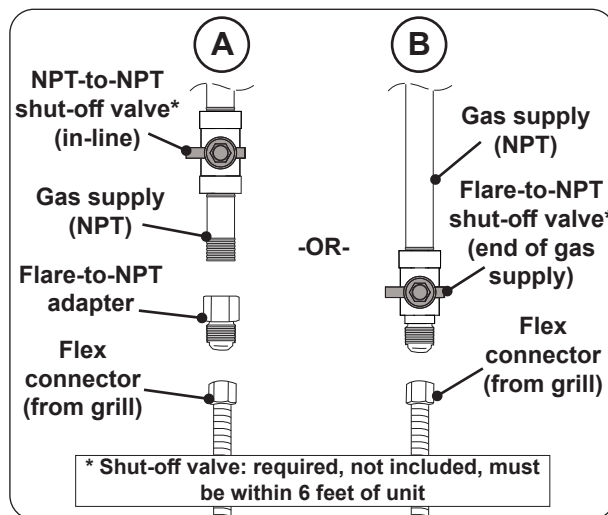


Fig. 25-2 Connecting to a gas line

## LEAK TEST

Turn all burner valves to the **OFF** position. Turn on the gas supply, and test at all connections for leaks using a soapy water solution. If bubbles appear, a leak is present. Turn off the gas and tighten at all connections. Repeat until no leaks are present. If a leak persists, turn off the gas supply and contact the local gas company or dealer. **NEVER USE A FLAME TO CHECK FOR LEAKS.**

**Once the leak test is complete, turn off the gas supply and proceed.**

## RE-SECURE ACCESS PLATE

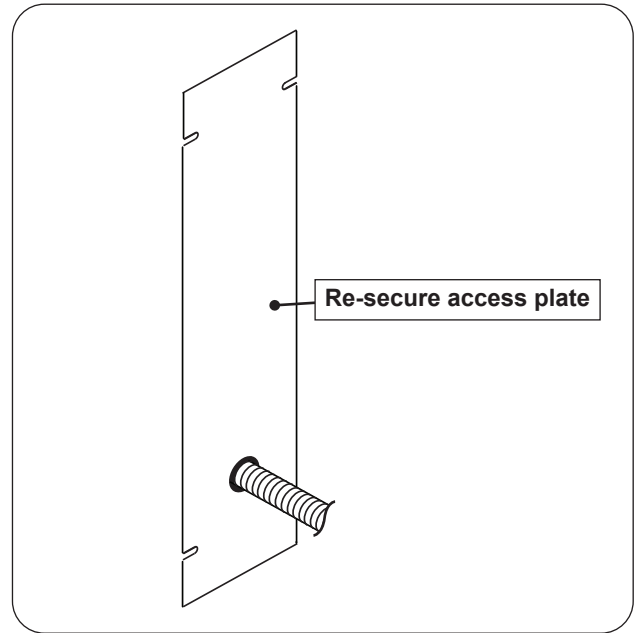
Carefully replace the access plate using the four screws, ensuring all interior components are properly oriented inside of the grill. Ensure the power supply cord (and flex connector if applicable) coming out of the rear of the post are properly situated and the plastic bushing/grommet pieces are secure in place.

## SECURING PATIO MOUNT GRILL

**Important:** **BEFORE USE**, the patio mount base must be securely fastened to a stable, level surface to ensure the grill remains fixed and upright at all times.

Locate the patio mount base in the planned grill location and mark the 4 holes. Drill the marked holes to a 1/2" diameter x 1 1/2" depth. Insert the lag shields (see PARTS LIST) into the holes, being sure that they are flush with the ground.

Align the holes on the patio mount base over the lag shields in the ground. Secure the base with the lag screws (see PARTS LIST) using a 7/16" nut driver.



**Fig. 26-1** Re-secure access plate

# IN-GROUND POST INSTALLATION

It is not required to remove the control panel or knobs to install this unit. DO NOT lift the unit from the control panel when installing.

## PREPARE FOR INSTALLATION

Consult a qualified professional installer / licensed contractor.

The in-ground post is designed primarily for installation with a permanent underground gas supply.

To gain access to the inside of the post, unscrew and carefully open the access plate on the rear of the post using a medium Phillips-head screwdriver. Retain the screws.

## ROUTE GAS SUPPLY (UNDERGROUND METHOD)

**Note:** This section addresses an underground gas supply setup. To connect through the rear of the post, reference the ROUTE FLEX CONNECTOR section of PATIO-MOUNT INSTALLATION, and do not perform the steps until after: attaching the extension post, and installing the post / pouring the concrete.

1. After running the underground gas supply (NPT) line to the planned grill location, dig a hole for the post and extension approximately 18" deep and 10-12" in diameter.

**Note:** Run the gas supply line up from the bottom of the hole (a little off center) so that it reaches to approximately 4" above ground level.

**Note:** The actual depth of the hole should be such that the shelf surface is approximately 36.5" above ground level.

2. Verify that the gas supply line fits through the gas line clearance hole in the bottom of the post (see Fig. 27-2). The clearance hole is the larger of the two holes in the bottom of the post and is off center.
3. Verify that the flex connector coming from the inside of the post will connect properly with the gas supply line.

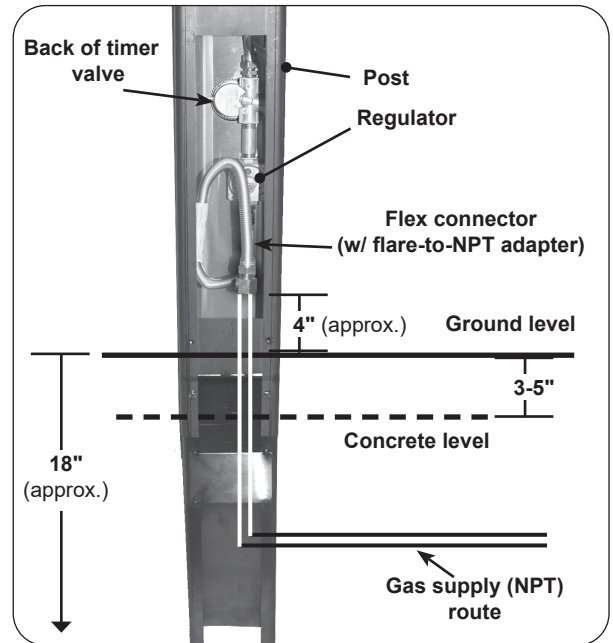


Fig. 27-1 In-ground install orientation

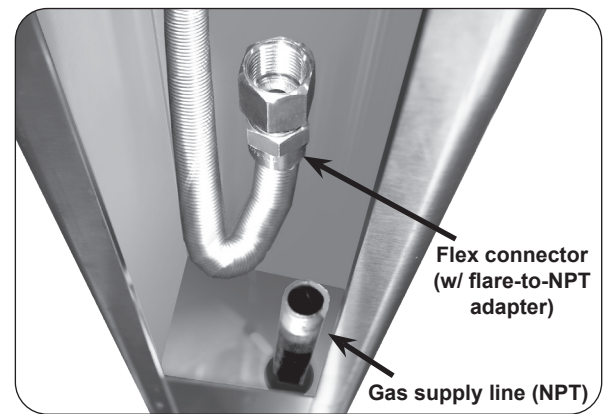


Fig. 27-2 Post interior detail

## ATTACH POST EXTENSION

1. Attach the extension to the bottom of the grill post so that the open portion is toward the back of the grill and the five holes in the extension line up with the five (5) weld-nuts in the post (see Fig. 28-1).
2. From outside the joined post and extension, insert one of the  $\frac{1}{4}$  X 20"-5/8 bolts (supplied) into each of the five (5) bolt holes and tighten each using a  $\frac{7}{16}$ " socket driver or wrench (see Fig. 28-2).

**Note:** There is one hole on each side of the post, except the back which has two holes located on either side of the extension opening.

## PLACE POST IN-GROUND & POUR CONCRETE

1. Prepare the concrete to be used for the install.
2. Carefully orient the post over the gas supply line and into the installation hole.

**Important:** Verify that the gas supply line is running up through the post hole, just off center. It must extend high enough to reach the grill gas connection and remain safely above the level of the concrete when poured.

3. Remove the post, then cover the end of the gas supply line with a plastic bag and/or masking tape to avoid getting concrete or other debris in the supply line.
4. Pour the concrete into the hole 3-5" below ground level taking care to protect the gas supply line.
5. While the concrete is still wet, carefully lower the extended grill post into the hole so that the gas supply line slides through the clearance hole in the bottom of the post.
6. Orient the grill per plan, then level the grill and support it so that it remains in position while the concrete dries.

## ROUTE FLEX CONNECTOR (ABOVE GROUND METHOD ONLY)

**Note:** This section addresses an above ground gas supply setup. If connecting underground, skip this section and continue with installation.

The gas supply line (NPT) will need to be run to the post install location as appropriate for the desired setup.

### To route flex connector through rear of post:

1. Remove the knock-out disk at the bottom of the access plate with a large flathead screwdriver. (Insert the screwdriver into the notch provided in the center of the knock-out.)
2. Remove the plastic grommet (attached to the flex connector) and insert it into the newly created opening. Then route the flex connector through the opening. See Fig. 28-4.

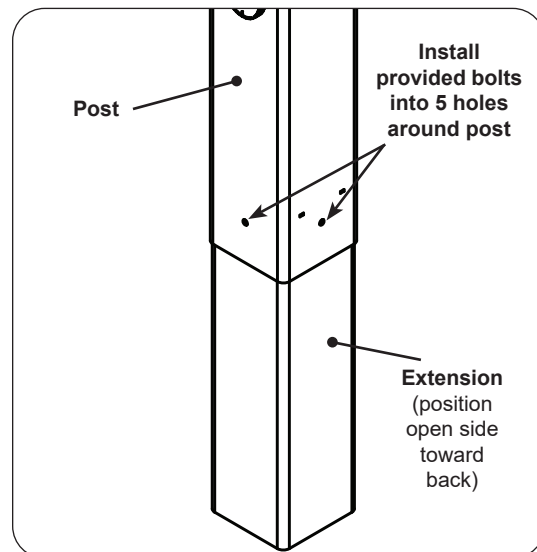


Fig. 28-1 Install extension to post

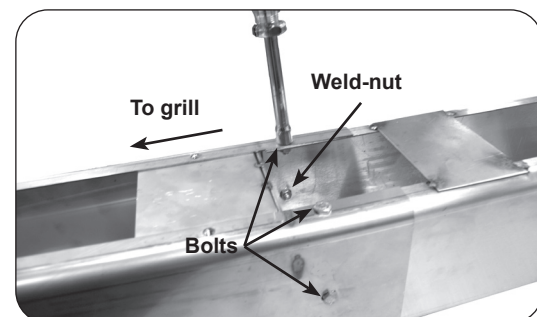


Fig. 28-2 Fasten extension to post

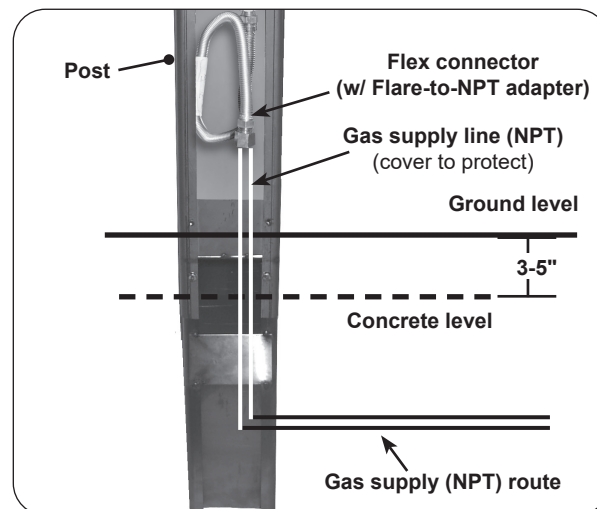


Fig. 28-3 Pour concrete & install post

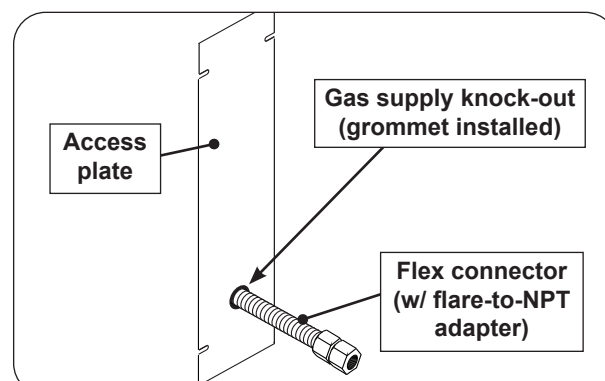


Fig. 28-4 Access plate view & install orientation

## CONNECT GAS SUPPLY

### To Connect To Propane Cylinder:

Read the safety warnings and follow the instructions in the section SAFE USE AND MAINTENANCE OF PROPANE GAS CYLINDERS.

- The cylinder requires a custom-built enclosure; follow all information in the PROPANE CYLINDER HOUSING AND RESTRAINING REQUIREMENTS section of this manual.
- Only a C.S.A. listed stainless steel flex connector can be connected to the unit.
- The regulator/hose assembly coming from the cylinder can only be connected to the above mentioned flex connector. A 1/2" male-to-male flare adapter will be required (not included).

**DO NOT connect the regulator/hose assembly directly to the unit.**

### To Connect To Natural Or Household Propane Gas Supply:

- Before connecting the gas supply to your appliance, pressures MUST be tested and MUST NOT exceed 10.5" w.c. for Nat. gas and 13" w.c. for L.P. gas. An additional regulator may be required.
- Refer to the GAS SUPPLY PLUMBING REQUIREMENTS section for all details on the gas supply and its setup.

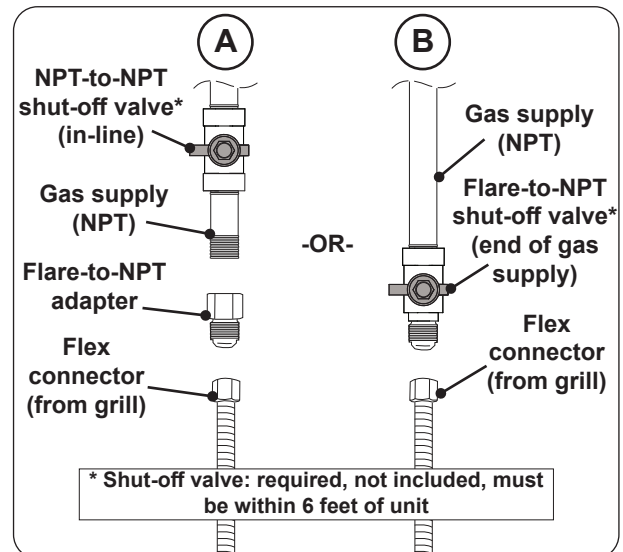
1. **Turn OFF the gas supply at the source.**
2. Route the flex connector to the gas supply stub.
3. A shut-off valve is required within 6 feet of the unit and must be easily accessible.

#### ***If shut-off valve is installed in-line:***

- Install the supplied flare-to-NPT adapter to the gas supply (NPT) using a pipe joint compound resistant to all gasses (see Fig. 29-1, A). Tighten securely.
- Connect the flex connector to the adapter (see Fig. 29-1, A). Tighten securely.

#### ***If shut-off valve is connected to end of gas supply stub:***

- Connect the flex connector to the shut-off valve (flare) (see Fig. 29-1, B). Tighten securely.



**Fig. 29-1** Connecting to a gas line



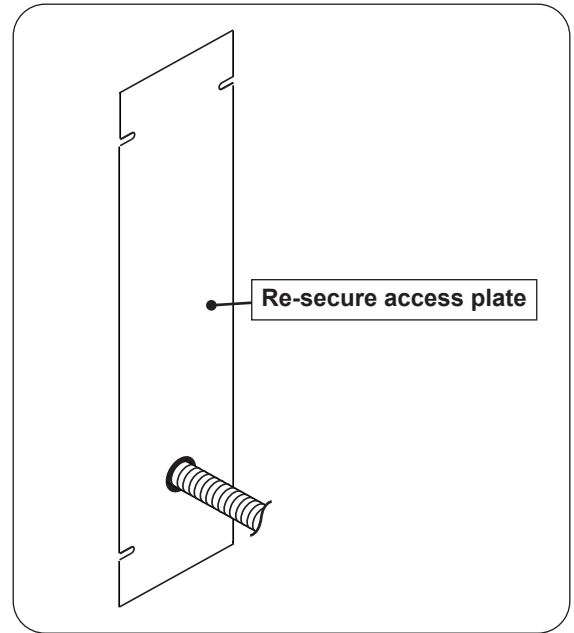
## LEAK TEST

Turn all burner valves to the **OFF** position. Turn on the gas supply, and test at all connections for leaks using a soapy water solution. If bubbles appear, a leak is present. Turn off the gas and tighten at all connections. Repeat until no leaks are present. If a leak persists, turn off the gas supply and contact the local gas company or dealer. **NEVER USE A FLAME TO CHECK FOR LEAKS.**

**Once the leak test is complete, turn off the gas supply and proceed.**

## RE-SECURE ACCESS PLATE

Carefully replace the access plate using the four screws, ensuring all interior components are properly oriented inside of the grill. If applicable, ensure the flex connector coming out of the rear of the post is properly situated and the grommet piece is secure in place.



**Fig. 30-1** Re-secure access plate

## INSTALL VAPORIZER PANELS

**Note:** Wear heat-resistant gloves if necessary.

Place the vaporizer panels directly onto the studs on the burners. See Fig. 31-1. The vaporizer panels allow heat from the burners to be evenly distributed throughout the cooking area.

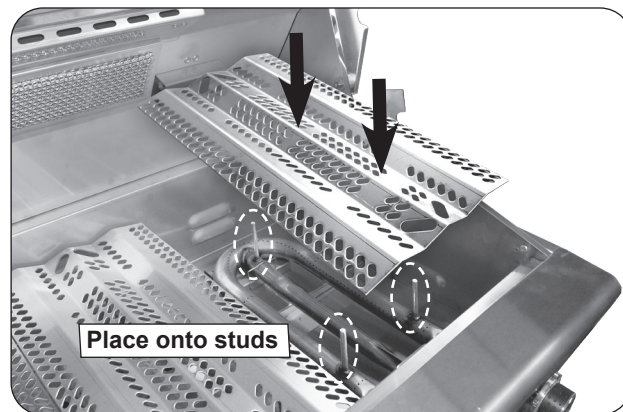
## INSTALL COOKING GRIDS

**Note:** Wear heat-resistant gloves if necessary.

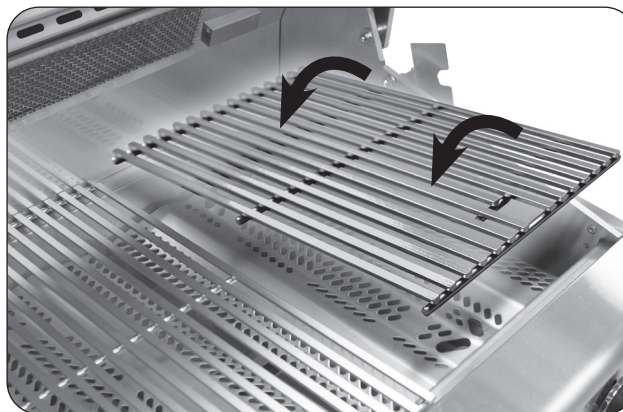
Place each cooking grid onto the front and rear grid rests of the grill. See Fig. 31-2.

## INSTALL DRIP TRAY

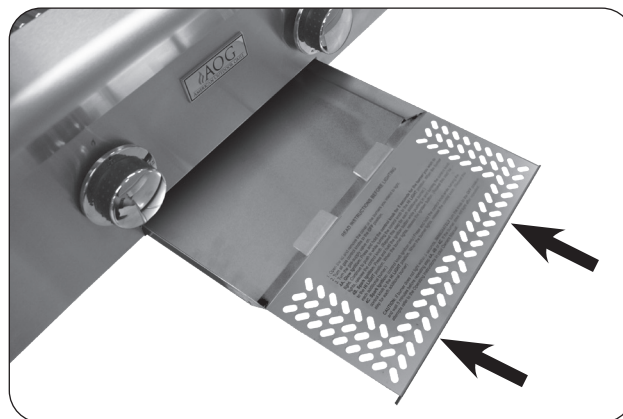
Fully insert the drip tray into the bottom front of the control panel. See Fig. 31-3.



**Fig. 31-1** Install vaporizer panels



**Fig. 31-2** Install cooking grids



**Fig. 31-3** Install drip tray

### INSTALL WARMING RACK

**Note:** Wear heat-resistant gloves if necessary.

The warming rack (Fig. 32-1) is packed separately. To install the warming rack, carefully insert the rack hangers into the two holes in the back of the inner oven hood, then lower the front of the rack to a level position.

**Note:** Removing the warming rack before using the rotisserie will leave more clearance for the meat being cooked (if applicable).

### INSTALL RIGID SHELVES

This grill comes with two (2) rigid shelves that must be attached. These can be attached using the four support screws provided and a Phillips-head screw driver.

**Important:** Take caution to not cross-thread when tightening the screws.

1. Hold the shelf inverted so that one of the corner holes in the shelf lines up with the appropriate upper screw hole in the grill.
2. Insert the screw, but do not tighten all the way so that the shelf can be easily rotated around the first screw.
3. Line up the second corner hole in the shelf with the remaining upper screw hole in the grill. Insert a screw and tighten.

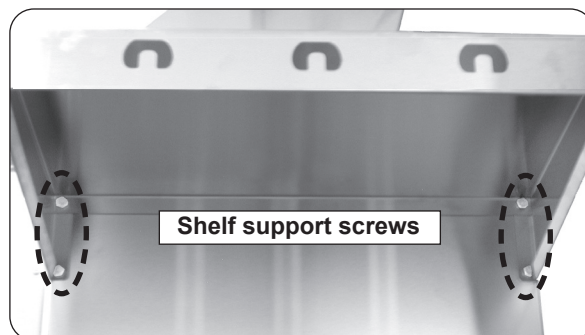
**Note:** You may lift the edge of the shelf upward to gain better access during much of the tightening of this screw.

4. Finally, insert the bottom screws on the left and right side of the shelf and securely tighten all screws.

To detach, reverse the process above.



**Fig. 32-1** Install warming rack

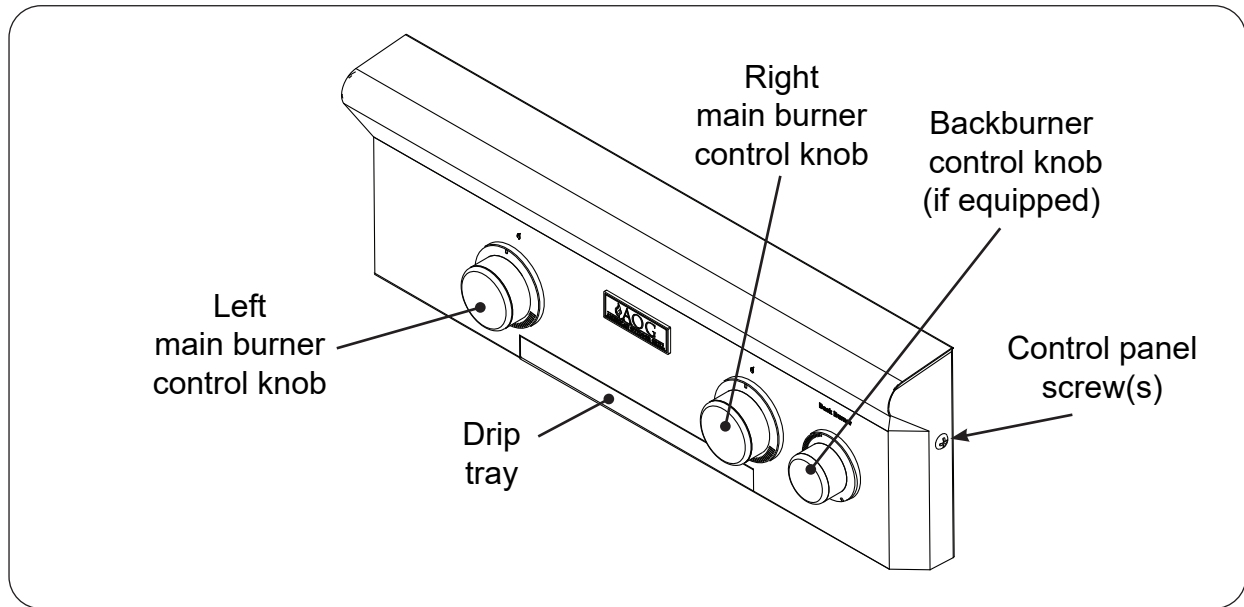


**Fig. 32-2** View from under right shelf

## OPERATION TEST

After installation, perform an operation test of the grill and its features/accessories. Refer to the following sections for details.

# IDENTIFICATION OF GRILL CONTROLS



**Fig. 33-1** Grill controls

# USING THE GRILL

## BEFORE INITIAL USE

Ensure that:

- the unit has been properly installed and leak tested by a qualified professional service technician and as instructed in this manual.
- you have read and understand all of the information in this manual.

## BEFORE EACH USE

Ensure that:

- you smell around the appliance area for gas. If you smell gas (and all control knobs are in the **OFF** position), immediately shut off the gas supply and contact a qualified professional service technician or the gas supplier for inspection.
- the vent openings and surrounding area of the unit (and propane cylinder enclosure if applicable) are clear and free at all times.
- the cooking area and drip tray are clean, and the drip tray is properly installed.
- you inspect all piping and hoses for damage, cuts, wear, and tear. Replace any damaged components prior to use.

## OPERATION

- **The unit becomes HOT during use. NEVER touch any part of the cooking area or surrounding hot surfaces with bare hands. Use long-handled insulated BBQ tools and wear an insulated glove / oven mitt.**
- **Always keep your face and body as far from the unit as possible during use. Avoid wearing loose-fitting clothing as they could ignite.**
- **This appliance is designed as an attended appliance. DO NOT leave this appliance burning when unattended.**
- **NEVER cover more than 75% of the cooking surface with griddles, pots or pans to prevent overheating.**
- **After each use, turn the control knob(s) to the OFF position and turn off the gas supply to the unit.**

After reading and understanding all bullets above, follow these steps to light and use your grill:

1. Light the grill per the LIGHTING INSTRUCTIONS section.
2. Turn the control knobs to the HI-LIGHT position, close the hood, and allow the grill to preheat for 15 minutes or until desired cooking temperature is reached.
3. Place the food on the grill and cook as desired. Monitor the flames and the temperature, and adjust the heat setting if necessary. Ensure the timer on the unit remains on during cooking - see LIGHTING INSTRUCTIONS section.
4. See the sections below and the following pages for all other information regarding use.

## WIND CONSIDERATIONS

Proper airflow (front-to-back, Fig. 34-1) MUST be maintained for the unit to perform as it was designed. See the INSTALLATION REQUIREMENTS section for details.

When using the unit in windy conditions, the wind can disrupt the airflow and cause overheating. To prevent overheating during windy conditions, do not leave the hood closed with the burners on high for more than 15 minutes.

## AFTER EACH USE

1. Operate on high with hood closed for 10-15 minutes to burn off all grease.
2. Turn off the grill and brush/scrape the cooking grids to remove all residue.

**CAUTION:** Use long-handled insulated BBQ tools and wear an insulated glove / oven mitt.

3. When the grill is cool, check and clean the drip tray. Then cover the grill.

**Note:** For additional cleaning information, refer to the SERVICING AND CLEANING section.

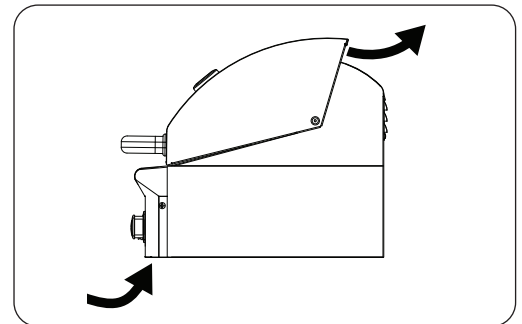


Fig. 34-1 Airflow diagram

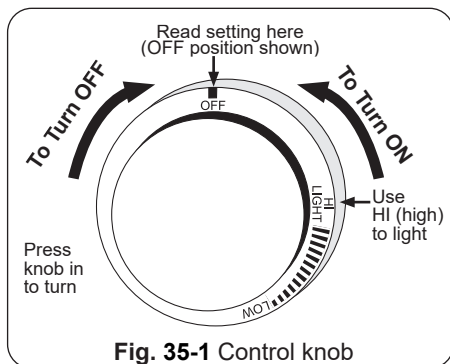
# LIGHTING (IGNITION) INSTRUCTIONS

Read all instructions before lighting, and follow these instructions each time you light the unit.

## SPARK IGNITION LIGHTING

**Note:** DO NOT turn on more than one valve at a time for either spark ignition or manual lighting.

1. Open the oven hood.
2. Turn all gas control knob(s) to their **OFF** position(s).
3. Turn on the gas at its source.



4. Set the timer control knob to the desired cooking time. See SETTING THE TIMER section below.
5. Depress the desired control knob, and while pressing turn it counterclockwise to the **HI LIGHT** position. Once the burner lights, release the knob.

**Note:** Turning the knob will create a “click” sound and ignite the burner. If there is no ignition, immediately turn to **OFF** position and repeat sequence quickly until the burner ignites.

**CAUTION:** If a burner does not light within five (5) seconds of turning on the control knob, depress the knob and turn it to the **OFF** position. **WAIT FIVE (5) MINUTES** before repeating step 4. If you smell gas, follow the instructions on the cover of this manual. If the burners still do not light after several attempts, refer to the instructions for manual lighting.

6. Repeat step 4 for each additional burner to be lit.

### WHEN USING A PORTABLE PROPANE TANK

Propane tanks are equipped with a safety shutdown device that may cause low or no gas pressure/flame at the burners if operating and lighting instructions are not followed exactly (See important note in the TROUBLESHOOTING section for more details.)

## SETTING THE TIMER

To use, set the dial (turn clockwise) to the desired time to shut off. The dial is marked in 3 twenty minute increments (any position in between is an estimate of that set time). The timer dial will auto rotate (counter-clockwise) and will shut off the gas supply when the dial reaches **OFF** (i.e. the time is completed).

**Important:** When using the timer for periods of less than twenty minutes, you must first turn the dial past twenty minutes (to activate), then return (counter-clockwise) to the desired amount of time. This will ensure proper timer operation. See Fig. 35-4.

## MANUAL LIGHTING

**CAUTION:** Always wait five (5) minutes for gas to clear after any unsuccessful lighting attempt.

1. Follow steps 1 through 4 (left).
2. Insert either a burning long-barrel butane lighter, a burning long-stem match, or a burning match held by a wire extension holder (Fig. 35-2) through the cooking grids to the burner (Fig. 35-3). For backburners, hold the flame against the perforated material of the backburner.
3. While holding the match or lighter flame next to the burner, depress the appropriate control knob and while pressing turn it counterclockwise to the **HI LIGHT** position. Remove the lighter or match when the burner lights, and release the control knob.
4. If the burner does not light within five (5) seconds of turning the control knob, **immediately depress the knob and turn the valve to OFF**. **WAIT FIVE (5) MINUTES** before repeating steps 2 through 4 of the **MANUAL LIGHTING** instructions.



Fig. 35-2 - Match holder

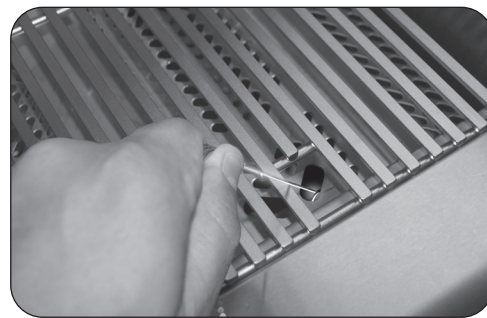
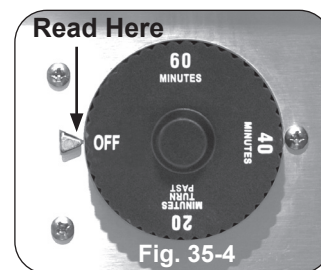


Fig. 35-3 - Manual lighting

## SHUTTING OFF THE UNIT

To shut off the unit, depress each valve control knob and while pressing turn it clockwise to the **OFF** position.

Always close the valve from the gas supply after each use of the unit.



Timer knob in OFF position



# ALLUMAGE DES INSTRUCTIONS (D'ALLUMAGE)

Lisez toutes les instructions avant l'allumage, et suivez ces instructions chaque fois vous lumière le unité.

## ALLUMAGE COMMANDE ECLAIRAGE

**Note:** N'ouvrez pas plus d'une valve à la fois pour allumage par étincelle ou manuel.

1. Ouvrez la hotte du four.
2. Tournez tous les boutons de commande de gaz à leurs positions de repos.
3. Allumez le gaz à sa source.

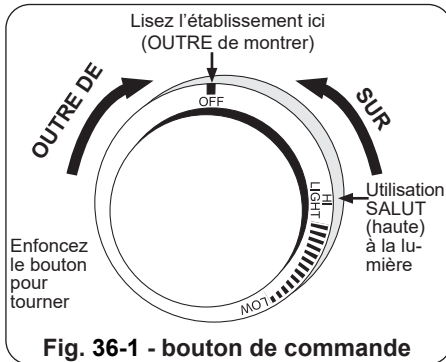


Fig. 36-1 - bouton de commande

4. Placez le bouton de commande de temporisateur au temps de cuisson.
5. Appuyez sur le bouton de commande souhaité et, tout en appuyant sur cette touche, tournez-le dans le sens inverse des aiguilles d'une montre jusqu'à la position **HI LIGHT**. Une fois le brûleur allumé, relâchez le bouton.

**Note:** Tourner le bouton crée un « clic » et allume le brûleur. S'il n'y a pas d'allumage, mettez-le immédiatement sur **OFF** et répétez la séquence rapidement jusqu'à ce que le brûleur s'allume.

**ATTENTION :** Si un brûleur ne s'allume pas dans deux ou trois (2-3) secondes suivant la mise sur le bouton de commande, appuyez sur le bouton et le tourner vers la position **OFF**. ATTENDEZ CINQ (5) MINUTES avant de répéter l'étape 5. Si vous sentez le gaz, suivez les instructions sur la couverture de ce manuel. Si les brûleurs ne s'allument toujours pas après que plusieurs tentatives, se rapportent aux instructions pour l'éclairage manuel.

6. Répétez l'étape 5 pour que chaque brûleur additionnel soit Lit.

### EMPLOYANT UN RÉSERVOIR DE PROPANE PORTATIF

Des réservoirs de propane sont équipés d'un dispositif d'arrêt de sûreté qui peut ne pas causer le bas ou aucunes pression de gaz/flamme aux brûleurs si le fonctionnement et l'allumage des instructions ne sont pas suivis exactement (voir la note importante dans la section de dépannage pour plus de détails.)

### ÉTABLISSEMENT DU TEMPORISATEUR

Pour l'utiliser, placez le sélecteur (tourner dans le sens horaire) à l'heure souhaitée pour couper. Le cadran est marqué en 3 tranches d'une minute vingt (Toute position entre les deux est une estimation du fait que le temps). Le cadran de la minuterie rotation automatique (sens anti-horaire) et coupera l'alimentation en gaz lorsque la molette atteint **OFF** (le temps est terminé).

**Important:** Lorsque vous utilisez la minuterie pour des périodes de moins de vingt minutes, vous devez d'abord tourner le cadran au-delà de vingt minutes (pour l'activer), puis retour (sens anti-horaire) à la quantité désirée de temps. Cela permettra d'assurer le bon fonctionnement de la minuterie. Voir Fig. 36-4.

## ÉCLAIRAGE MANUEL

**ATTENTION:** Attendez toujours cinq (5) minutes le gaz pour se dégager après que n'importe quelle tentative non réussie d'éclairage.

1. Suivez les étapes 1 à 4 (à gauche).
2. Insérez soit un brûlant long baril briquet au butane, un match à longue tige de brûlure, ou une allumette en feu détenues par un titulaire d'extension de fil (Fig. 36-2) À travers les grilles de cuisson du brûleur (Fig. 36-3). Pour backburners, maintenez la flamme contre le matériau perforé de la veilleuse.
3. Tout en maintenant le match ou flamme d'un briquet à proximité du brûleur, appuyez sur le bouton de contrôle approprié et en appuyant son tour dans le sens antihoraire à la position **HI LIGHT**. Retirez le briquet ou des allumettes quand le brûleur s'allume, puis relâchez le bouton de commande.
4. Si le brûleur ne se allume pas dans les cinq (5) secondes de tourner le bouton de commande, **appuyez immédiatement sur le bouton et tournez la valve sur OFF**. Attendez cinq (5) minutes avant de répéter les étapes 2 à 4 des instructions du manuel d'éclairage.



Fig. 36-2 - Titulaire de match

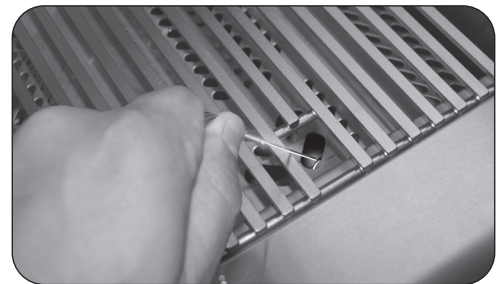


Fig. 36-3 - Éclairage manuel

### ARRÊT DU UNITÉ

Pour couper le unité, diminuez chaque bouton de commande de valve et tout en pressant tour il dans le sens des aiguilles d'une montre à la position de repos.

Fermez toujours la valve de la fourniture de gaz après chaque utilisation du unité.

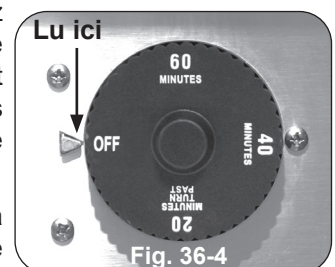


Fig. 36-4

Bouton de temporisateur AU LOIN (temporisateur de 3 heures montré)

## ROTISSERIE INSTRUCTIONS (IF EQUIPPED)

**CAUTION:** WHEN USING THE BACKBURNER; KEEP THE OVEN LID CLOSED TO PREVENT HEAT LOSS, PROVIDE PROPER CONVECTION, AND PROVIDE PROPER VENTING. THIS WILL ENSURE EVEN COOKING TEMPERATURES.

**DO NOT KEEP YOUR OVEN LID OPEN DURING ROTISSING, AS THIS MAY CAUSE PERSONAL INJURY, OR IN SOME CASES, IN WINDY CONDITIONS, DAMAGE TO THE GRILL.**

**DO NOT USE THE ROTISSERIE MOTOR IN THE RAIN. DO NOT LEAVE THE MOTOR ON THE GRILL WHEN NOT IN USE.**

1. Remove the warming rack and cooking grids from the barbecue. The vaporizer panels may also be removed if required.

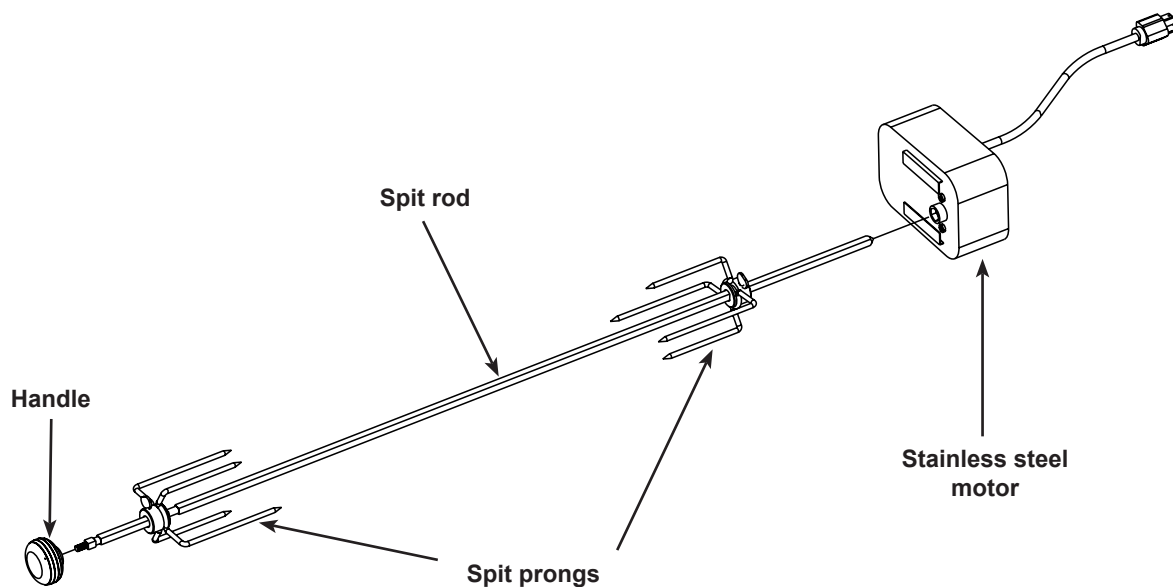
**Tip:** Aluminum foil or a baking pan is recommended and may be placed over the main burners / vaporizer panels, a little forward of center, to catch excess drippings from the meat.

2. Attach the rotisserie motor to the rotisserie mounting on the right side of your barbecue by sliding the bracket attached to the motor onto the tab on the right of the barbecue. The motor should be installed so that the spit rod will fit into the motor drive socket from the left.

3. Slide the left spit prong onto the rod (and tighten), the meat onto the rod and into the prong, followed by the right spit prong onto the rod and into the meat. Tighten the right spit prong. Be sure the meat is centered and balanced as well as possible.
4. Insert the pointed end of the rod into the motor drive socket and the groove next to the handle into the left support bracket.
5. Plug in (if necessary) and turn on the rotisserie motor.
6. Light backburner per lighting instructions in this manual (or on drip tray handle) and close oven lid.
7. Allow the backburner to preheat for approximately 10 minutes on **HI LIGHT** setting.

**Note:** When burning properly, the backburner grating will glow red. The first time it is used the backburner may smoke a little.

**Important:** Turn the backburner to low or off when stopping the rotisserie to prevent overcooking.



# SERVICING AND CLEANING

**Your grill requires regular cleaning and maintenance.** Refer to these instructions for details. Performing these procedures will ensure proper operation, appearance, and safety.

## WARNINGS

- Prior to servicing or cleaning make sure the unit is completely cool, the control knobs are turned to the OFF position, and the gas supply is shut off.
- Wear appropriate gloves and safety glasses during any servicing or cleaning.
- DO NOT spray any cleaner or liquids on the grill when hot.
- The grill MUST be cleaned regularly to prevent grease build-up and other food deposits. A clean and well maintained grill prevents the risk of grease build-up and grease fires.
- Verify proper operation after servicing or deep cleaning.
- See INSTALLATION, OPERATION, AND SAFETY INFORMATION section for additional related information.

## CLEANING YOUR GRILL

### Before Each Use

1. **Inspect and clean the exterior surfaces of the unit:** With a cool grill, clean any dust, grease, splatter, or spills as needed with a damp clean cloth.

### After Each Use

1. **Perform a burn-off and clean the cooking grids:** Operate the grill on high with the hood closed for 15 minutes to burn-off food and grease and allow for an easier cooking grid clean. Then turn OFF the grill and use a grill brush or scraper to clean the cooking grids of all residue. Use long-handled insulated BBQ tools and wear an insulated glove / oven mitt.
2. **Check and clean your drip tray:** When the grill is cool, carefully remove the drip tray and dispose of contents appropriately. Clean tray in a soapy water solution if needed. For tough deposits, a copper pad can be used. Rinse and dry completely.
3. **Cover your grill:** Once the grill is dry and cool, cover your grill with an AOG protective cover (not included).

### Twice A Year (or as needed) - Deep Clean

1. **Interior of grill:** In addition to cleaning the cooking grids and drip tray, a deep clean of the interior of the grill, burners, and all components MUST be performed twice year (or as needed depending on use). Refer to the CARE, CLEANING, & MAINTENANCE GUIDE provided with your grill, or simply scan the QR code on the right.



**Important:** The burner ports and carry-over ports/slots MUST be kept clean to ensure proper ignition and operation. The guide provides all details on cleaning.

2. **Exterior of grill:** With a cool grill, use a grill cleaner (or a soapy water solution) and a clean cloth to remove grease and dirt from the outside of the grill. For tough deposits, a copper pad can be used. Always wipe with the grain. Rinse and dry completely. Then follow up with a stainless steel cleaner and a clean cloth. DO NOT use other cleaners or chemicals.

If this routine cleaning is not performed, the stainless steel may become dull and develop surface rust (due to use and atmospheric conditions). If left uncleaned, significant damage and pitting may occur.

**Important:** DO NOT use steel wool, any other metal tools, or any other cleaners/chemicals to clean the exterior other than recommended above. Such items promote rust.

**Note:** Due to the nature of stainless steel, temperatures produced by the grilling process will cause discoloration. This can be reduced by routine cleaning.

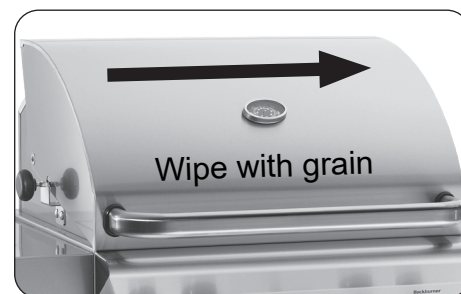


Fig. 38-1 Wipe with grain

### For Environments High In Salt, Chloride, Or Other Corrosive Chemicals

When this grill is installed in a corrosive environment such as near the ocean (salt air), poolside (chlorine and/or pool chemicals) or any other location with exposure to high salt/chloride content or corrosive chemicals/solutions, it will be more susceptible to corrosion and **MUST** be maintained/cleaned **more frequently**.

- **DO NOT** store any corrosive chemicals (chlorine, hydrochloric acid, fertilizer, etc.) near your stainless steel grill.
- **DO NOT** allow any corrosive materials (masonry dust, debris, etc.) to settle on your stainless steel grill.
- These environments, chemicals, and materials may cause the 304 stainless steel to develop surface rust and consequently pitting. Under these conditions the grill exterior **MUST** be cleaned at least monthly. Inspect your grill often and clean accordingly.

### Protecting Your Grill

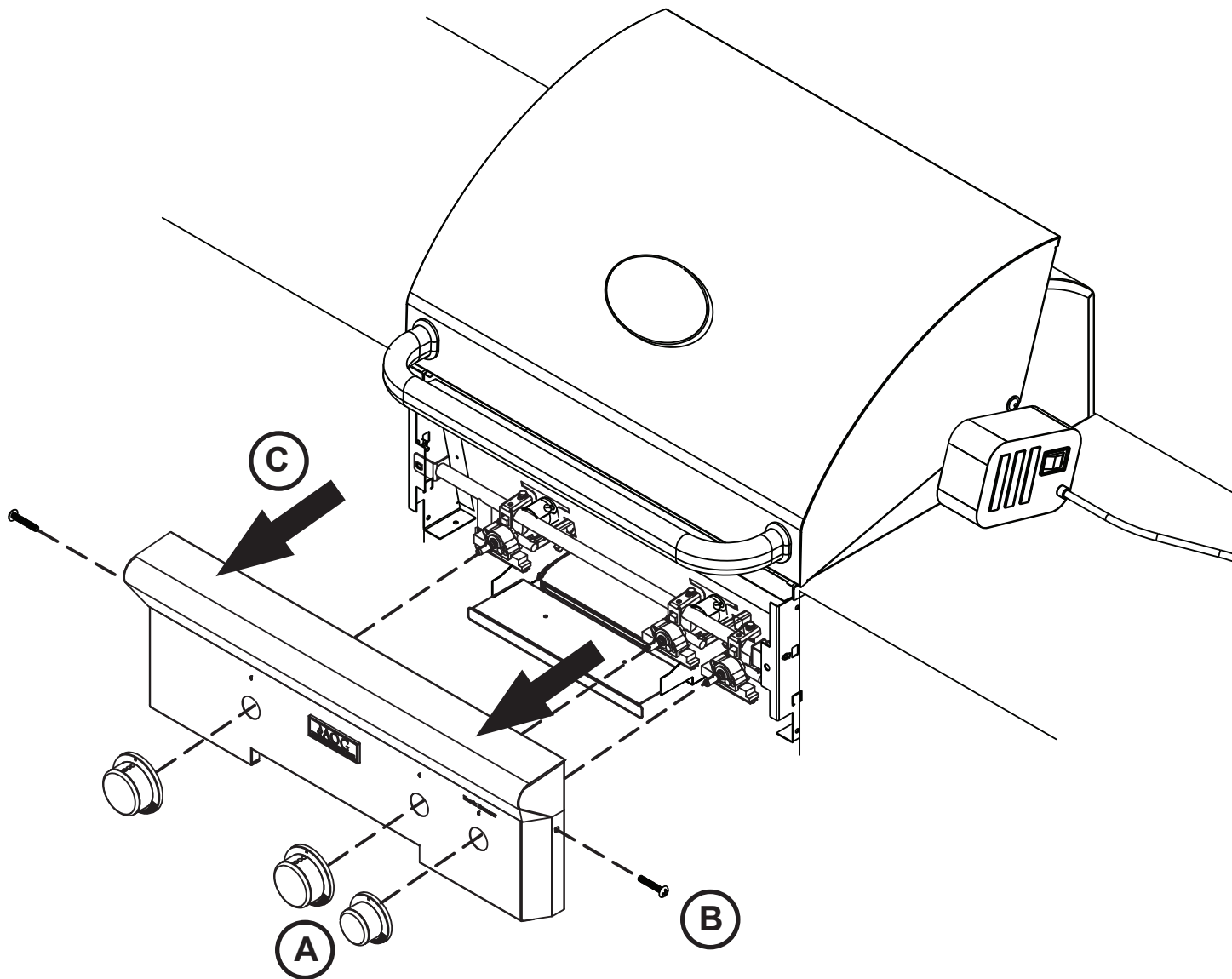
An optional AOG protective cover will protect your grill when not in use. Install the cover on a cool and dry grill. **DO NOT** cover a damp grill. During high humidity or after rainy conditions, remove the cover to dry trapped moisture if present. (If the cover is installed over a damp grill it can cause surface rust.)

Ensure that the **INSIDE** of the cover is DRY before putting it back on the grill.

### CONTROL PANEL REMOVAL

1. Turn the control knobs to the **OFF** position and turn off the gas supply to the grill.
2. Pull the control knobs from their stems and set them aside (A).
3. Using a Phillips screwdriver, unscrew the control panel fastener screws (located on the sides of the control panel). Retain the screws for later re-installation (B).
4. Carefully remove the control panel by lifting and pulling the control panel from the frame (C).

**Important:** During reinstallation; prior to opening the gas shut-off valve, be sure the control knob(s) are in the OFF position.

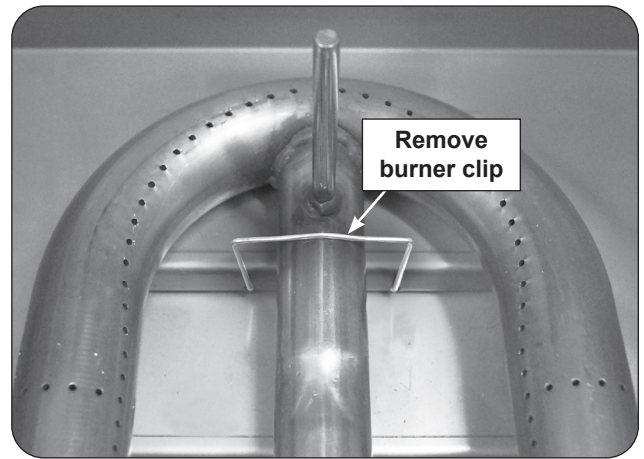


### MAIN BURNER REMOVAL

1. Remove the cooking grid and vaporizer panel from above the burner that is to be removed and set them aside.
2. Locate the burner clip (located over the rear center tube of the burner) and slightly pinch and remove the clip from the burner support. See Fig. 41-1.
3. Carefully lift the burner from the burner support anchor peg holes and out from the hole in the forward fire wall.
4. To replace the burner, slide the open cylindrical end of the burner around the orifice, enveloping it and centering on it. Then lower the back end anchor pegs into the burner support anchor peg holes.

**Note:** It is critical to the continued safe functioning of the burners that the orifices are centered and completely inside the burner gas inlets.

5. Re-install the burner clip around the burner and into the holes in the burner support.
6. Replace the cooking grid and vaporizer panel.



**Fig. 41-1** Main burner removal



## CONVERT GAS TYPE / CHECK BURNER ORIFICES

**IF CONVERTING TO LP CYLINDER GAS, A PROPANE CYLINDER HOLDER OR CYLINDER ENCLOSURE IS REQUIRED.** See the PROPANE CYLINDER HOUSING AND RESTRAINING REQUIREMENTS section and Table 2.

**CAUTION:** Make sure the grill is at a safe temperature and isolated from gas and electrical supplies before beginning.

For your safety, exercise caution, and make sure you have adequate hand protection, such as gloves, when handling metal parts.

### Apply Conversion Label

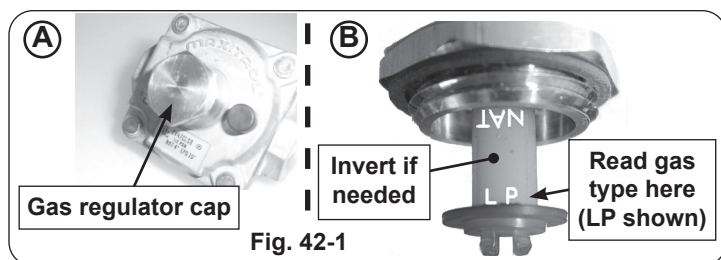
This grill comes from the factory configured for one type of gas as marked on the label behind the control panel.

**When the grill is converted, the label for the new gas (included at original shipping) MUST be filled out and applied next to the existing label mentioned above.**

### Convert Regulator

The gas regulator, located in the post, must be set for the type of gas used to fuel the grill. To check the regulator setting, remove the cap in the center of the regulator (Fig. 42-1, A). Holding the cap vertical (see Fig. 42-1, B), the letters at the bottom of the plastic stalk indicate the gas type for which the regulator is currently configured.

If the text on the bottom of the regulator stalk does not match the gas type connected to the grill, remove the stalk from the cap, invert, and replace into center of cap. Replace cap on the regulator, screwing down until snug.



### Convert Gas Orifices

When converting the grill to a different gas type, each burner's orifice must be replaced with the corresponding orifice for the new gas.

See MODEL SPECIFICATIONS TABLE, Table 1 to determine the proper orifice sizes for each burner.

See the following sections for details on orifice conversion.

**Important:** It is critical to the operation of each burner that its orifice be fully inserted into the center of its orifice opening.

**WARNING**  
**HAZARDOUS OVERHEATING WILL OCCUR IF A NATURAL-GAS ORIFICE IS USED WITH PROPANE GAS.**

### Connect To New Gas Supply

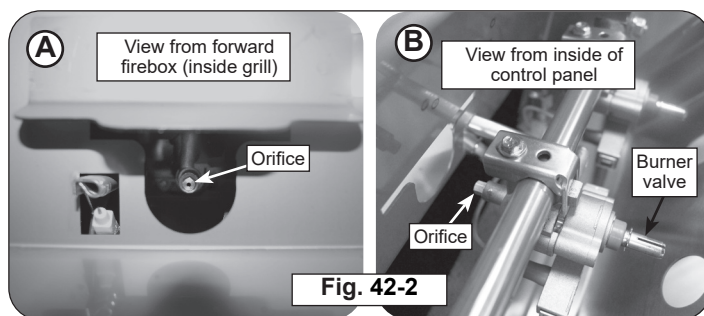
Plumb the unit as appropriate for the new gas supply. (Additional components may be needed for your specific setup.) **Be sure to leak test at all connections.**

### Convert/Check Main Burner Orifices

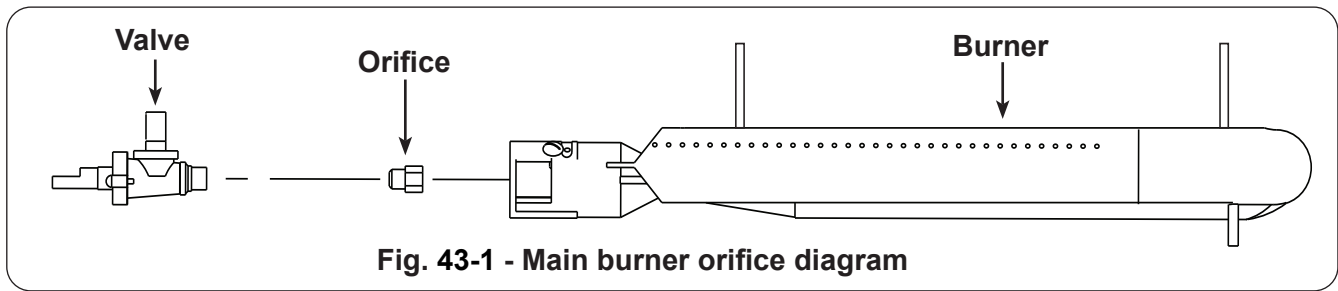
**Note:** It may be necessary to remove the rotisserie rod before beginning this procedure.

1. Remove the cooking grids and vaporizer panels and set them aside.
2. Remove the burners (see BURNER REMOVAL section for step-by-step instructions).
3. Use a 1/4" hex deep socket nut driver to remove the exposed orifices. Access the orifices through the holes in the forward firebox plate inside the grill (see Fig. 42-2, A). Check orifices. If needed, replace all with the correct orifices for the new gas.

Alternatively, the orifices can be accessed through the inside of the control panel if the proper tool is not available (see Fig. 42-2, B). This allows a 1/4" open-end wrench to be used instead of a 1/4" hex deep socket nut driver. To open the control panel, see the CONTROL PANEL REMOVAL section.



Procedure continued on next page



5. Replace burners (See BURNER REMOVAL section).

**Note:** It is critical to the continued safe functioning of the burners that the orifices are centered and completely inside the burner gas inlets.

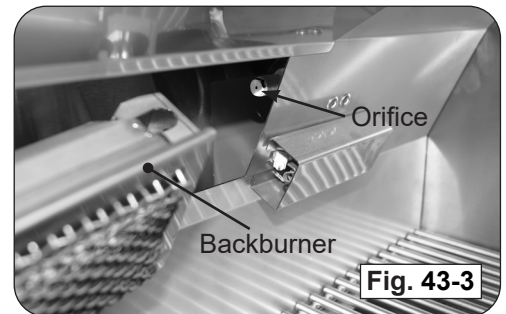
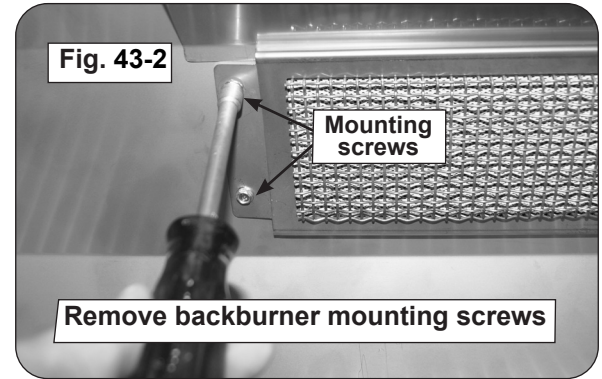
5. Replace the vaporizer panels and the cooking grids.

6. If applicable, reinstall the control panel.

### Convert/Check Backburner Orifice (if equipped)

**Note:** It may be necessary to remove the rotisserie rod before beginning this procedure.

1. Remove the backburner mounting screws ( $\frac{1}{4}$ " hex) located at the left end of the backburner assembly (see Fig. 43-2).
2. Carefully pull the left end of the backburner forward until the burner can be moved to the left pulling it free from the orifice located on the right side (see Fig. 43-3).
3. Use a  $\frac{3}{8}$ " hex nut driver to remove the exposed orifice. Check orifice. If needed, replace it with the correct orifice for the new gas.
4. Replace the backburner assembly and the electrode by reversing the procedure in steps 1. through 2.



The backburner orifice can be seen on the right side after removing the backburner.

## AIR SHUTTER ADJUSTMENT / BURNER FLAME INSPECTION

**Important:** Air shutters are preset at the factory (see Table 1 in MODEL SPECIFICATIONS). However, gas conversion, altitude, or other local conditions may make it necessary to adjust the air shutters.

**Note:** Infrared and backburner air shutters are not adjustable.

**Note:** To verify proper settings, the flames of the burners should be visually checked for proper flame appearance and behavior. Light the grill with the burner(s) on HI setting. Allow at least 2 minutes to burn. See below and Fig. 44-1. The flames should:

- be blue and stable with little to no yellow tips
- burn quietly, and appear to touch the burner

If the flames appear unstable, yellow, noisy, or lift away from the burner, locate the appropriate section for your burner type, and follow the steps.

### Main Burner

**Begin with a completely cool unit.** Remove the burners (see BURNER REMOVAL section). First ensure the burner orifice, ports, venturi tubes, and air shutter openings are all clear of any insect or insect nests. If they are blocked, clean them, reinstall the burners, and reinspect the flames. If adjustment is still needed, **allow the unit to cool**, remove the burner, and proceed to the steps below.

1. To adjust the air shutter, loosen the adjustment screw with a flathead screwdriver. Then rotate the shutter to open or close it. See Fig. 44-2 for details.
  - Begin with the appropriate factory setting for your model (see Table 1 if needed).
  - If the flames were excessively yellow (insufficient air), open the shutter to allow more air to the burner. If the flames were noisy and lifting off the burner in some areas, close the shutter to allow less air to the burner. Adjust accordingly.

**Note:** Make minimal adjustments. Very small changes result in major changes in flame appearance.

2. Reinstall the burner, light the grill with the burner on HI, and observe the flames. If needed, allow the grill to completely cool, and repeat the adjustment process until the proper flame is achieved.
3. Once finished, allow the unit to completely cool, remove the burner, and tighten the adjustment screw. Reinstall the burner.
4. Repeat for all other main burners as needed.
5. Reinstall all other components that were removed.

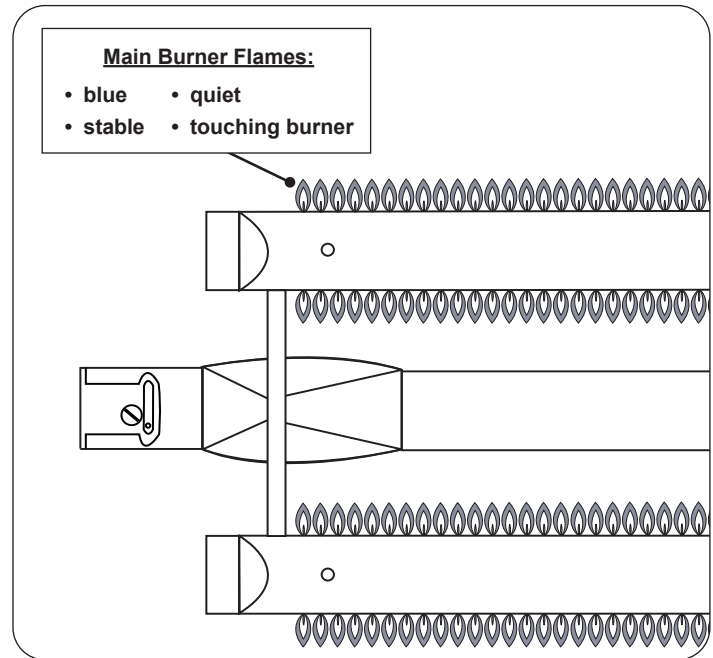


Fig. 44-1 Proper flame appearance

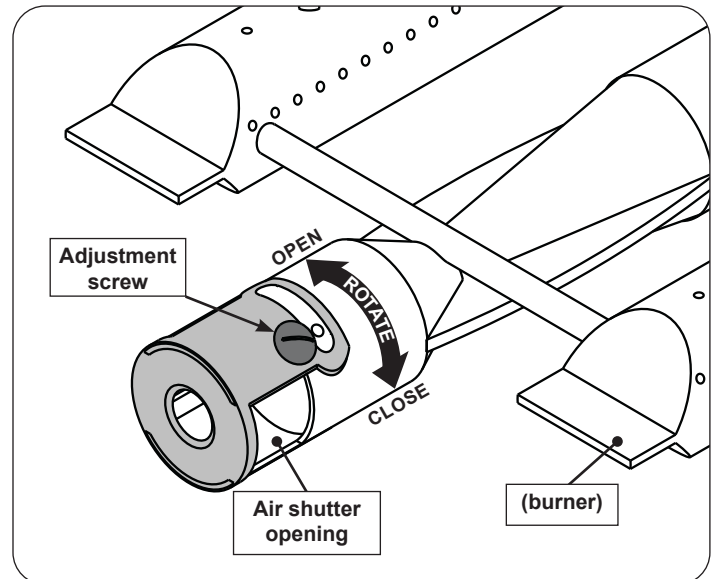


Fig. 44-2 Main burner air shutter adjustment detail

## VALVE "LOW" SETTING ADJUSTMENT

Stability of the "low" setting on all burners may vary due to wind direction, appliance configuration, and position. If your burner goes out when set on low, the valve "low" setting needs adjustment.

**Note:** Adjustments MUST only be performed by a qualified professional service technician.

**To adjust the valve "low" setting:**

1. Ensure the unit is completely cool and the knobs are in the OFF position.
2. Remove the cooking grids, vaporizer panels, and control panel. See the CONTROL PANEL REMOVAL section for details.
3. Re-install the control knobs on the valve stems with the control panel removed.
4. Light the burner on HIGH, then turn the burner to LOW setting. While the burner is lit, remove the control knob from the valve.
5. Locate the FLATHEAD adjustment screw found above the valve stem and below the manifold (see Fig. 45-1).
6. Using a flathead screwdriver, slowly turn the adjustment screw a little at a time (30° to 45°) in either direction. Adjust the screw as needed until the flame is approximately 1/4" in height from all the burner ports, and the flames are stable.

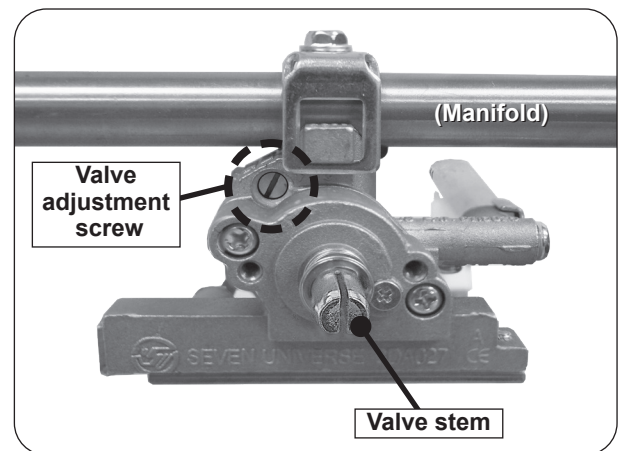
**CAUTION:** Only adjust the FLATHEAD screw. Adjusting other screws may result in a dangerous gas leak.

7. Once the appropriate setting is reached, re-install the control knob and shut off the burner valve.
8. Repeat this procedure for other burner valves, if needed.
9. Re-install the control panel, vaporizer panels, cooking grids, and any other components that were removed.

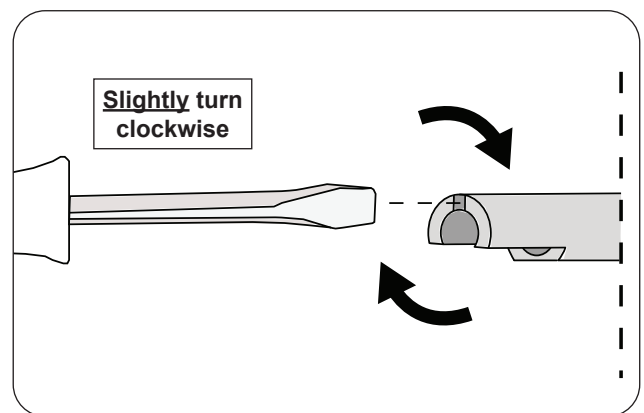
## CONTROL KNOB FITMENT ADJUSTMENT

If a control knob needs to be adjusted for a sturdy fit, follow the steps below:

1. Gently pull the knob off the stem.
2. Insert a flathead screwdriver into the split portion of the stem and **GENTLY** turn the screwdriver clockwise. Be cautious! Only a slight turn is needed as the stem is flexible. See Fig. 45-2.
3. Check fitment by reinstalling the control knob, and adjust further (if needed).



**Fig. 45-1** Valve adjustment screw location



**Fig. 45-2** Stem adjustment

Please use this page to record any information about your unit that you may want to have at hand.

## TROUBLESHOOTING

If you have trouble with the unit, please use this list to identify the problem. By trying one or more of the solutions to the possible cause, you should be able to solve the problem. If this list does not cover your present problem, or if you have other technical difficulties with the unit, please contact your local dealer.

PROBLEM	POSSIBLE CAUSE	CORRECTION
<b>Ignition system failure</b>	<ol style="list-style-type: none"> <li>1. Improper air shutter adjustment</li> <li>2. No spark generated at the valve</li> <li>3. Low gas pressure</li> <li>4. Front carry-over ports clogged</li> <li>5. Igniter malfunction</li> </ol>	<ol style="list-style-type: none"> <li>1. Adjust air shutters.</li> <li>2. Retry to light. If ignition failure continues, contact dealer for valve replacement.</li> <li>3. Have the gas co. check supply pressure.</li> <li>4. Clean burner ports.</li> <li>5. Contact dealer for replacement.</li> </ol>
<b>Insufficient heat / low flame</b>	<ol style="list-style-type: none"> <li>1. Burner ports clogged</li> <li>2. Improper air-shutter adjustment</li> <li>3. Using propane orifice for natural gas</li> <li>4. Low gas pressure/flame (propane)</li> <li>5. Low gas pressure/flame (natural)</li> <li>6. L.P. regulator hose stuck/damaged</li> </ol>	<ol style="list-style-type: none"> <li>1. Remove burners and clean out ports.</li> <li>2. Adjust air shutters.</li> <li>3. Check/change orifices.</li> <li>4. Refill propane tank, or reset propane tank safety*: Shut off all valves (including propane tank) and follow lighting instructions exactly.</li> <li>5. Have a qualified professional service technician check for proper gas supply, setup, and pressure.</li> <li>6. Replace L.P. regulator hose.</li> </ol>
<b>Uneven heating</b>	<ol style="list-style-type: none"> <li>1. Burner ports partially blocked by debris</li> <li>2. Small spiders or insects in burner</li> <li>3. Improper air shutter adjustment</li> </ol>	<ol style="list-style-type: none"> <li>1. Remove burners and clean out ports.</li> <li>2. Inspect burners and orifices for spider webs or other debris that may block flow.</li> <li>3. Adjust air shutters.</li> </ol>
<b>Rotisserie noisy</b>	<ol style="list-style-type: none"> <li>1. Rotisserie out of balance</li> </ol>	<ol style="list-style-type: none"> <li>1. Adjust rotisserie counterbalance.</li> </ol>
<b>Burner goes out on LOW</b>	<ol style="list-style-type: none"> <li>1. Valve "Low" setting needs adjustment</li> </ol>	<ol style="list-style-type: none"> <li>1. See the VALVE "LOW" SETTING ADJUSTMENT section for details.</li> </ol>

**Note:** \*Propane tanks are equipped with a safety shutdown device that may cause low or no gas/flame at the burners if operating and lighting instructions are not followed exactly. **If you suspect the propane tank safety shutoff is in effect:** 1) Shut off all grill valves. 2) Shut off tank valve. 3) Open and close a main burner valve. 4) Open tank valve. 5) Follow the LIGHTING INSTRUCTIONS. Lighting instructions are located in the owner's manual and printed on the unit's metal drip tray. If the problem persists, continue troubleshooting, or contact your local dealer or distributor for assistance.



# WARRANTY

## AMERICAN OUTDOOR GRILL LIMITED WARRANTY

American Outdoor Grill® warrants your grill to be free from defects in material and workmanship.

American Outdoor Grill stainless-steel burners are warranted for **as long as the original purchaser owns them -- LIFETIME**. All other American Outdoor Grill parts and vent hood housings are warranted for **TEN (10) YEARS**. (Except as noted below.)

American Outdoor Grill infrared burners, vaporizer panels, and exterior Glass Fiber Reinforced Concrete (GFRC) grill island systems are warranted for **THREE (3) YEARS**.

American Outdoor Grill ignition systems (excluding batteries), vent hood controls and blowers, and accessories (including sideburners, motors, and thermometers) are warranted for **ONE (1) YEAR**.

### A COPY OF YOUR SALES SLIP FOR PROOF OF PURCHASE IS REQUIRED

This warranty applies to the original purchaser for products which are installed in the United States or Canada and which are operated and maintained as intended for single family residential usage (if the unit is installed in a commercial / multi-user setting, a separate Commercial / Multi-User Limited Warranty applies and is available from RHP). This warranty is valid only with proof of purchase, commences on the date of purchase, and terminates (both as to original and any replacement products) on the anniversary date of the original purchase of the product per the above schedules.

This warranty **does not** cover parts which become defective as a result of negligence, misuse, use not in compliance with the Installation and Owner's Manual, accidental damage, improper handling, improper storage, improper installation, **lack of required routine maintenance** (as specified in the Installation and Owner's Manual), electrical damage, local gas impurities or failure to protect against combustible materials. Product must be installed (and gas must be connected) as specified in the Installation and Owner's Manual by a **qualified professional installer**. This warranty **does not** apply to rust, corrosion, oxidation, or discoloration unless the affected part becomes inoperable. RHP products including valves, pilots and controls are designed and certified to be used as a system. Modifications to products which are not specifically authorized will void this warranty and could render the product to be unsafe. Burners, valves, parts, remotes, accessories, etc. used with this product must be RHP products or this warranty is void.

Warranted items will be repaired or replaced at RHP's sole discretion. This warranty **does not** cover labor or labor related charges, except as provided by separate specific written programs from RHP. All repair work must be performed by a qualified professional service person and requires prior approval of RHP.

RHP may require the defective product or part to be returned to the factory to determine the cause of failure. RHP will pay freight charges if the product or part is determined to be defective. This warranty does not cover breakage in shipment from our independent distributor to its customer if the damage is determined to have occurred during that shipment.

This warranty specifically excludes liability for **indirect, incidental**, or consequential damages. Some states and provinces do not allow the exclusion or limitation of incidental or consequential damages, so the above exclusion may not apply to you. This warranty gives you specified legal rights, and you may have other rights that vary from state to state or province.

For additional information regarding this warranty, or to place a warranty claim, contact the RHP dealer where the product was purchased.

When contacting your RHP dealer or the R.H. Peterson Co., please provide the following information:

- Your name, address, telephone number, e-mail
- Sales receipt showing where purchased and date purchased
- Model number, serial number of product, date code
- Relevant information: installer, additions, repairs, when defect was first noted

**TO REGISTER YOUR PRODUCT ONLINE GO TO: [WWW.AMERICANOUTDOORGRILL.COM](http://WWW.AMERICANOUTDOORGRILL.COM),  
AND CLICK ON PRODUCT REGISTRATION. THANK YOU FOR YOUR PURCHASE.**

### COMMONWEALTH OF MASSACHUSETTS REQUIREMENTS

**This appliance is approved for installation in the state of Massachusetts subject to the following requirements:**

Install this appliance in accordance with 248 C.M.R., the Rules and Regulations Governing Plumbers and Gas Fitters. The installer or service agent must be a plumber or gas fitter licensed in the Commonwealth of Massachusetts. The flexible gas line connector used must not exceed 36 inches (92 centimeters) in length. The individual manual shut-off must be a T-handle type valve, listed and approved by the state of Massachusetts.

<b>Quality Check</b>			<b>Date:</b> _____		<b>Model #:</b> _____
<b>Burner Orifices</b>	<b>Nat.</b>	<b>L.P.</b>	<b>Leak Test:</b>	_____	
<b>Main:</b>	_____	_____	<b>Burn Test:</b>	_____	
<b>Back:</b>	_____	_____	<b>Gas Type:</b>	<u>Nat. / L.P.</u>	
<b>Side:</b>	_____	_____	<b>Air Shutter:</b>	_____	
<b>Infrared:</b>	_____	_____			
<b>Other:</b>	_____	_____	<b>Inspector:</b>	_____	
					<b>Serial #:</b> _____