



Gas Connection Box with Timer

Model # 5521-11T, 5521-12T
5521-13T, 5521-14T

INSTALLER: Leave these instructions with consumer.
CONSUMER: Retain for future reference.



5521-13T model shown

AFTER EACH USE:

- MAKE CERTAIN THAT THE APPLIANCE CONTROL KNOBS ARE IN THE OFF POSITION
- IF TIMER IS ON, SLOWLY TURN IT TO THE OFF POSITION
- TURN OFF THE PRIMARY GAS SUPPLY SHUT-OFF VALVE TO COMPLETELY SHUT OFF THE GAS TO THE APPLIANCE

This timer box can be installed in a Fire Magic GFRC island, or a custom-built enclosure.

INSTALLATION REQUIREMENTS

- Reference Fig. 2-1 on next page.
- Box MUST be installed in accordance with local codes or, in the absence of local codes, in accordance with the National Fuel Gas Code ANSI Z223.1/NFPA54, or the Natural Gas & Propane Installation Code, CSA B149.1, as applicable.
- Box MUST be installed in a grill enclosure in such a way that it is easily accessible to the rear of the box for gas connection, maintenance, and service.
- Fire Magic GFRC islands meet all enclosure and ventilation requirements. For requirements regarding custom-built enclosures, see the ENCLOSURE REQUIREMENTS section of your grill owner's manual. Observe all codes.
- Box MUST be installed in-line between the required primary gas supply shut-off valve and the gas appliance.
- Timer MUST NOT be used as the primary gas supply shut-off valve.
- Box MUST be installed a minimum of 10" away from the appliance or it will overheat, causing damage to the timer and may result in a leak.
- Box MUST be installed within 6 feet of the appliance.
- Use pipe joint compound resistant to all gasses on all NPT fittings except flare fittings. Be sure to leak test at all connections.

Specifications

- **5521-11T** and **5521-13T** Box dimensions: 8 1/2" W x 7 3/4" H x 2 1/2" D
- **5521-12T** and **5521-14T** Box dimensions: 15 1/2" W x 7 3/4" H x 2 1/2" D
- 100,000 B.T.U., Natural Gas @ 0.6 SP. @ 7" w.c. (per valve)
- 100,000 B.T.U., Propane Gas @ 1.53 SP.@ 11" w.c. (per valve)
- Maximum working pressure not to exceed 1/2 P.S.I.G.
- Maximum ambient operating range: from 0° F (-18° C) to 150° F (65.6° C).

The gas hoses should be flexible/long enough to allow the box to be pulled out of the enclosure for leak testing during installation.

Installation continued on next page

INSTALLATION

In addition to following the CONNECT GAS SUPPLY section of the gas appliance owner's manual, install the box in the gas supply line (between the shut-off valve and the appliance).

Follow **ALL** information found in the **INSTALLATION REQUIREMENTS** section, the gas appliance owner's manual, Fig. 2-1, and Fig. 2-2.

1. Create box cutout in grill enclosure (see Fig. 2-3).
 - **5521-11T** and **5521-13T**: 7 1/2" W x 6 1/2" H
 - **5521-12T** and **5521-14T**: 14 1/2" W x 6 1/2" H

Note: For 5521-12T and 5521-14T models, repeat steps 2 and 3 for the second appliance.

2. Using two wrenches, connect the flex connector coming from the appliance to the 1/2" **flare adapter labeled OUT**. See Fig. 2-4, A. Ensure the connection is tightened securely.
3. Using two wrenches, connect a flex connector (not included) to the 1/2" **flare adapter labeled IN**. See Fig. 2-4, B. Ensure the connection is tightened securely.
4. Carefully check *all* gas connections for leaks with a brush and soapy water before lighting. **NEVER USE A MATCH OR OPEN FLAME TO TEST FOR LEAKS.**
5. Install box and secure to enclosure using the appropriate mounting hardware for the construction (not included).

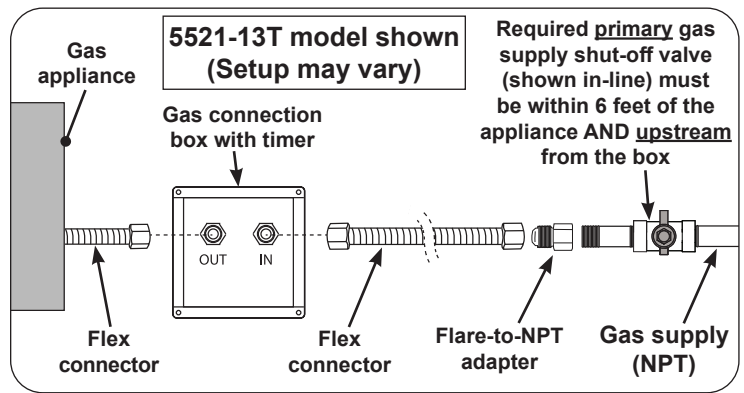


Fig. 2-1 Box installation overview

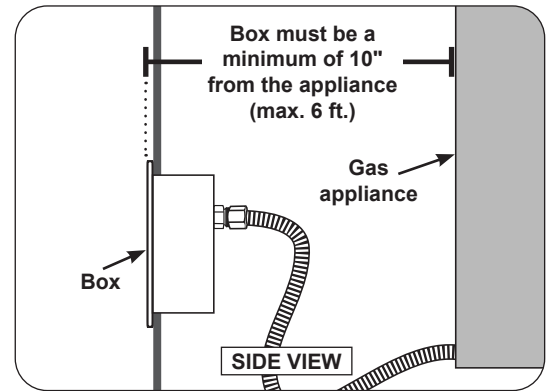


Fig. 2-2 Box clearance

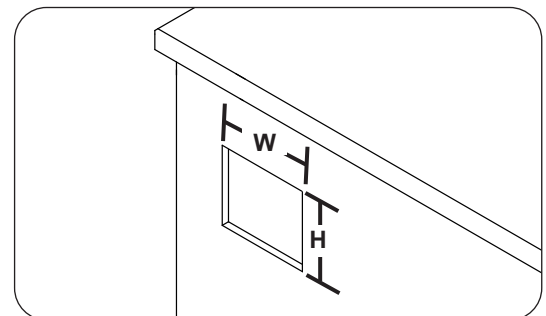


Fig. 2-3 Cut out dimensions

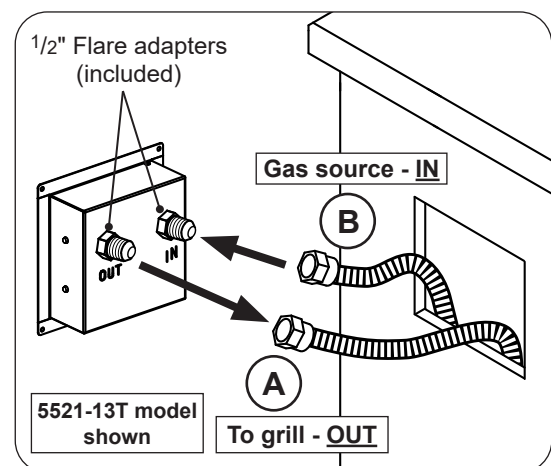


Fig. 2-4 Install timer box

OPERATION (1-hour model)

To use, set the dial (turn clockwise) to the desired time to shut off. The dial is marked in 3 twenty minute increments (any position in between is an estimate of that set time). The timer dial will auto rotate (counter-clockwise) and will shut off the gas supply when the dial reaches OFF (i.e. the desired time is completed).

Important: When using the timer for periods of less than twenty minutes, you must first turn the dial past 20 minutes (to activate), then return (counter-clockwise) to the desired amount of time. This will ensure proper timer operation. See Fig. 3-1.

OPERATION (3-hour model)

To use, set the dial (turn clockwise) to the desired time to shut off. The dial is marked in 3 one hour increments (any position in between is an estimate of that hour). The timer dial will auto rotate (counter-clockwise) and will shut off the gas supply when the dial reaches OFF (i.e. the desired time is completed).

Important: When using the timer for periods of less than one hour, you must first turn the dial past 1 hour (to activate), then return (counter-clockwise) to the desired amount of time. This will ensure proper timer operation. See Fig. 3-2.

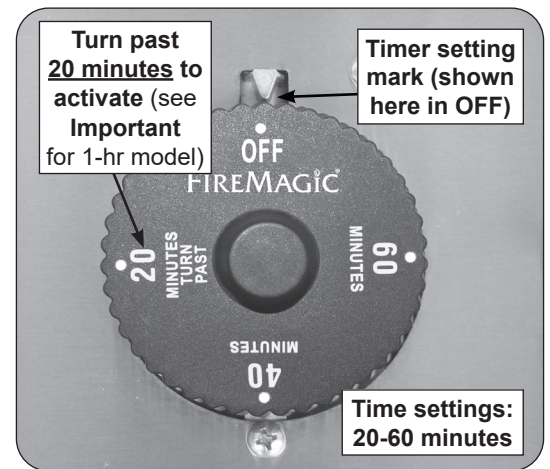


Fig. 3-1 1-Hour timer operation

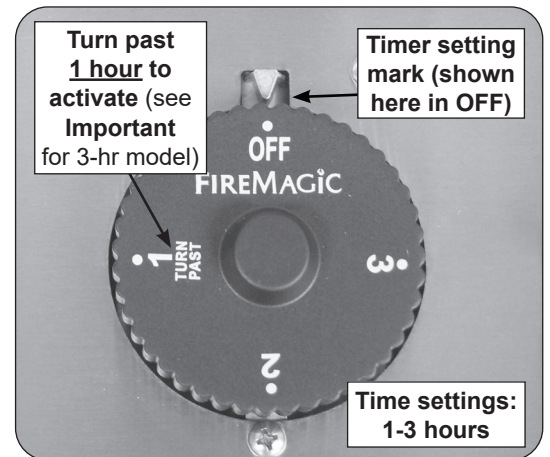


Fig. 3-2 3-Hour timer operation

WARNING: AFTER EACH USE:

- MAKE CERTAIN THAT THE APPLIANCE CONTROL KNOBS ARE IN THE OFF POSITION
- IF TIMER IS ON, SLOWLY TURN IT TO THE OFF POSITION
- TURN OFF THE PRIMARY GAS SUPPLY SHUT-OFF VALVE TO COMPLETELY SHUT OFF THE GAS TO THE APPLIANCE

NOTES PAGE

Please use this page to record any information that you may want to have at hand.